



SUNGDO MACHINERY CO.,LTD.



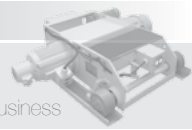
성도호이스트
10 ton
제한하중

Trust our experience to manage your business

since 1979

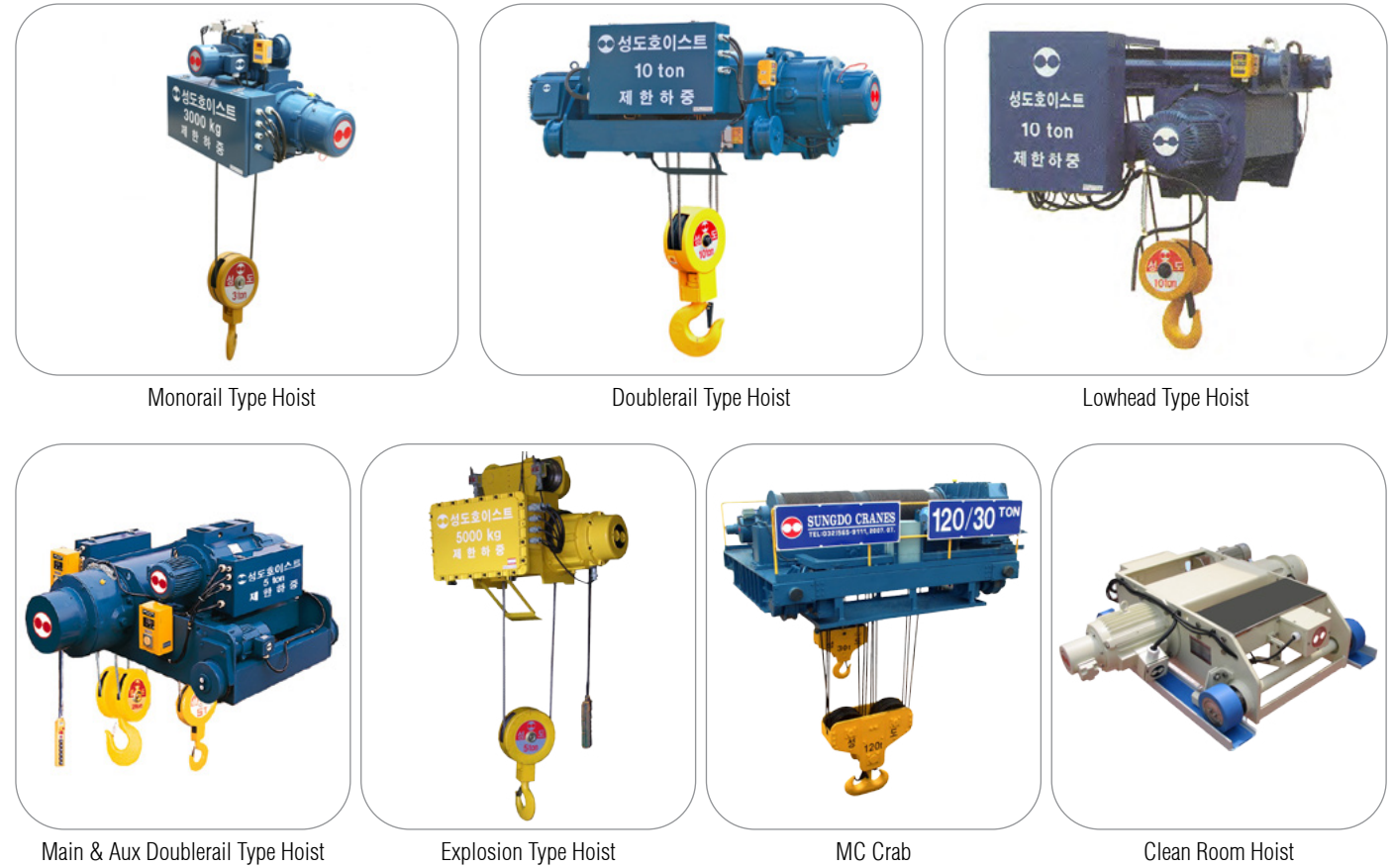
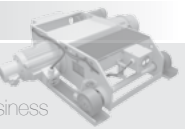
Electric Wire Rope Hoist

www.sungdohoist.co.kr



Contents

	Page
Hoist Type / Specification	3
Hoist Usage	4 ~ 5
Fixed Mounted Hoist	6 ~ 8
Monorail Type Hoist	9 ~ 10
Doublerail Type Hoist	11 ~ 13
Lowhead Type Hoist	14
Double Lowhead Type Hoist	15
Creep - Monorail Type Hoist	16 ~ 17
Creep - Doublerail Type Hoist	18 ~ 20
Creep - Lowhead Type Hoist	21
Creep - Double Lowhead Type hoist	22
Main & Aux Doublerail Type Hoist	23 ~ 25
Creep - Main & Aux Doublerail Type Hoist	26 ~ 28
Crane Components	29 ~ 31

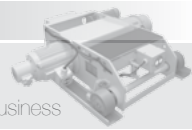


Specification

Specification	Regular Type Hoist		Lowhead Type	Doublerail Type
	Fixed Mounted	Motor Driven Trolley	Motor Driven Trolley	Motor Driven Trolley
Push Button and its indication	4-point(emergency,light, up, down)	6-point (emergency, light, up, down, east, west) 8-point (emergency, light, up, down, east, west, south, north)		
Hoist Crossing (Traversing)	Traversing part is assembled separately to the hoist body by using spacers and suspension bolts			
Power Supply	AC phase power source 220V - 50Hz/60Hz X 3ph AC phase power source 380V - 50Hz/60Hz X 3ph AC phase power source 440V - 50Hz/60Hz X 3ph AC phase power source 480V - 50Hz/60Hz X 3ph			
Ambient Temperature	-10℃ ~ 40℃			
Construction	Weather and dust proof			
Utilization Factor	%ED = $\frac{\text{Motor - powered time(min) in one hour with maximum work rate}}{60(\text{min})} \times 10$			
Coating Color	Munsell No. for the hoist body: 10B 3/5, for the hook: 8.1YR 7.6/15.2			

Hoist Usage Examples

Trust our experience to manage your business



Single Overhead Hoist Crane



High Lift Suspension Hoist Crane



Jib Hoist Crane



Double Overhead Hoist Crane



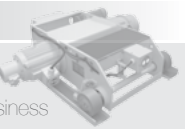
Double Overhead Hoist Crane



Semi-Gantry Hoist Crane

Hoist Usage Examples

Trust our experience to manage your business



Gantry Hoist Crane



Wall Jib Hoist Crane



Magnet Crane



Bucket Hoist Crane



Transfer Car



Clean Room Hoist Crane

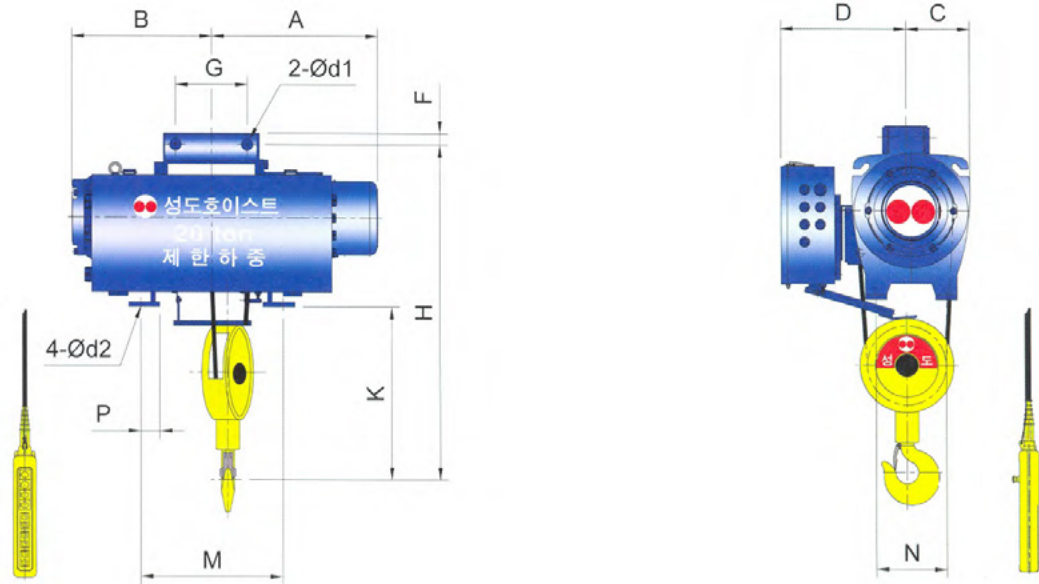
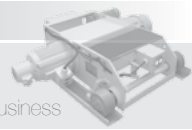
SUNG DO Partners

Trust our experience to manage your business



Fixed Mounted Hoist

Trust our experience to manage your business

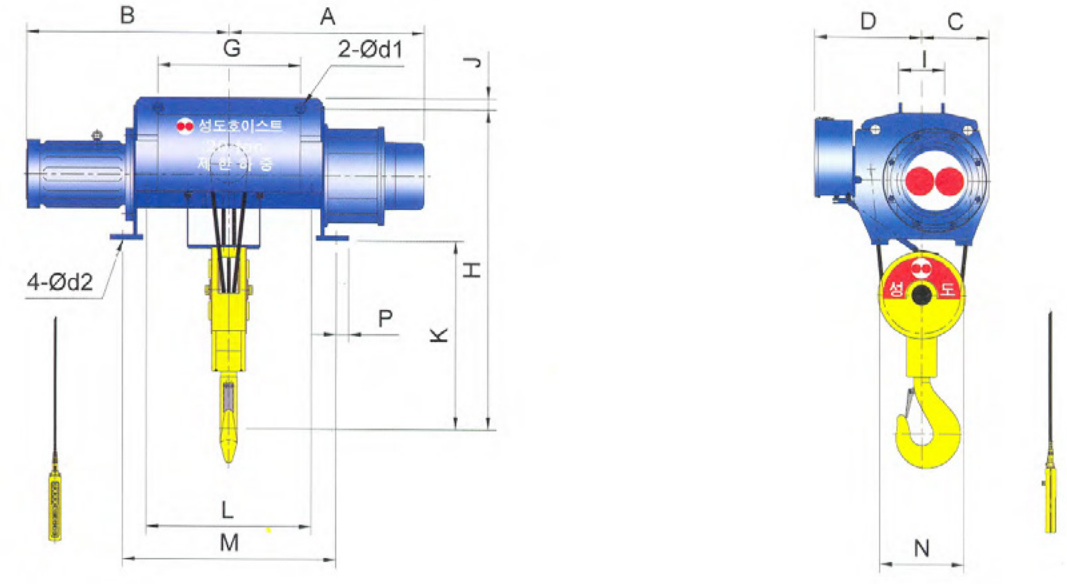
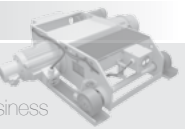


Model		SM 1-F	SM 2-F	SM 2.8-F	SM 3-F	SM 5-F	
Capacity (Ton)		1	2	2.8	3	5	
Type	Hoisting Speed	High Speed	SM1-H6(12)	SM2-H6(12)	SM2.8-H6(12)	SM3-H6(12)	SM5-H6(12)
		Low Speed	SM1-L6(12)	SM2-L6(12)	SM2.8-L6(12)	SM3-L6(12)	SM5-L6(12)
Hoist	Maximum Lift (m)		6 (12)	6 (12)	6 (12)	6 (12)	6 (12)
	Hoisting Speed (m/min)	High Speed 50/60 (Hz)	10/12	8.4 / 10	7.5 / 9	7.5 / 9	4.7 / 5.6
		Low Speed 50/60 (Hz)	6.6 / 8	5.4 / 6.5	3.7 / 4.5	3.7 / 4.5	3.5 / 4.2
	Hoisting Motor (kw x P)	High Speed	2.4 x 4	3.7 x 4	5.0 x 4	5.5 x 4	5.5 x 6
		Low Speed	1.5 x 6	2.5 x 6	2.5 x 8	2.8 x 8	4.2 x 8
	Wire Rope	Construction	6 x 37	6 x 37	6 x 37	6 x 37	6 x 37
Dia.(mm) x No. of Ropes		8 x 2	10 x 2	12.5 x 2	12.5 x 2	16 x 2	
Brake		DC Magnet Disc Brake					
Dimensions (mm) (approx.)	H	750	920	1050	1050	1235	
	A	400 (500)	470 (570)	520 (620)	520 (620)	625 (715)	
	B	380 (480)	430 (530)	455 (555)	455 (555)	525 (615)	
	C	160	200	200	200	240	
	D	290	320	365	365	420	
	G	160	200	200	200	280	
	F	28	35	30	30	45	
	I	112	150	150	150	180	
	K	386	480	545	545	695	
	M	344 (544)	344 (545)	364 (564)	364 (564)	450 (650)	
	N	160	175	220	220	260	
	P	55	55	55	55	60	
	d1	26	33	33	33	47	
d2	17	17	17	17	17		
Weight (approx. - kg)		170 (198)	260 (290)	340 (390)	340 (390)	550 (610)	

Note: Figures in () are for hoists of 12m lift

Fixed Mounted Hoist

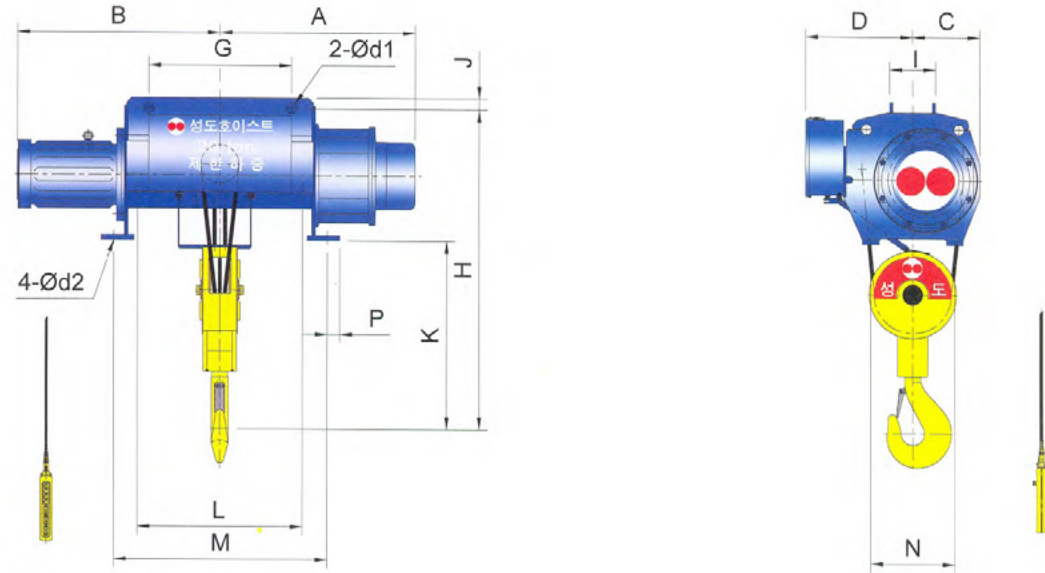
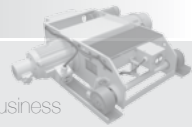
Trust our experience to manage your business



Model		SM 7.5-F	SM 10-F	SM 15-F	SM 20-F	
Capacity (Ton)		7.5	10	15	20	
Type	Hoisting Speed	High Speed	SM7.5-H12	SM10-H12	SM15-H12	SM20-H12
		Low Speed	SM7.5-L12	SM10-L12	SM15-L12	SM20-L12
Hoist	Maximum Lift (m)		12	11.5	12	12
	Hoisting Speed (m/min)	High Speed 50/60 (Hz)	3.1 / 3.8	3.7 / 4.5	3.5 / 4.2	3.5 / 4.2
		Low Speed 50/60 (Hz)	2.3 / 2.8	2.5 / 3	2.3 / 2.8	2.3 / 2.8
	Hoisting Motor (kw x P)	High Speed	5.5 x 6	9 x 8	13 x 8	17 x 8
		Low Speed	4.2 x 8	6 x 12	8.5 x 12	11.5 x 12
	Wire Rope	Construction	6 x 37	6 x 37	6 x 37	6 x 37
Dia.(mm) x No. of Ropes		14 x 4	16 x 4	20 x 4	22.4 x 4	
Brake		DC Magnet Disc Brake				
Dimensions (mm) (approx.)	H	1300	1330	1900	1900	
	A	925	990	1110	1160	
	B	835	955	1170	1220	
	C	295	320	400	400	
	D	480	550	640	640	
	G	800	800	800	850	
	I	232	232	272	272	
	J	50	50	65	65	
	K	750	715	1130	1130	
	L	850	850	870	935	
	M	1100	1100	1150	1250	
	N	400	400	500	500	
	P	30	62	40	70	
d1	47	47	63	63		
d2	25	25	30	30		
Weight (approx. - kg)		850	1120	1780	2050	

Fixed Mounted Hoist

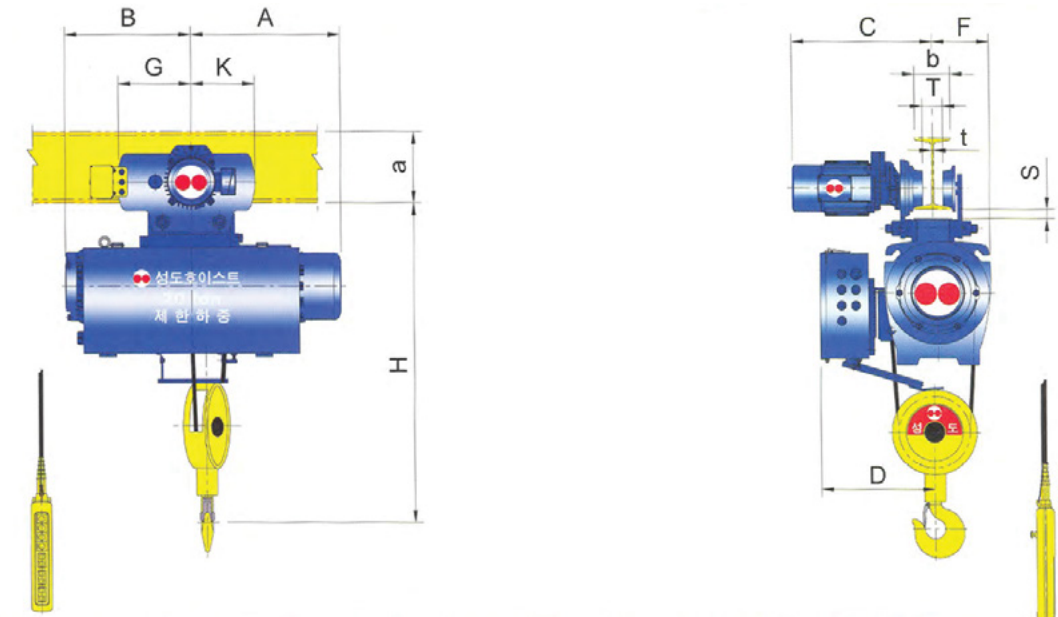
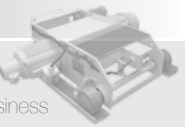
Trust our experience to manage your business



Model		SD 35-F	SD 50-F	SD 60-F	SD 70-F
Capacity (Ton)		35	50	60	70
Type		SD35-H12	SD50-H12	SD60-H12	SD70-H12
Hoist	Maximum Lift (m)	12	12	12	12
	Hoisting Speed (m/min) 50/60 (Hz)	4 / 4.8	2.7 / 3.2	2 / 2.4	2 / 2.4
		33 x 6	33 x 6	33 x 6	33 x 6
	Hoisting Motor (kw x P)	6 x Fi (25), (29)	6 x Fi (25), (29)	6 x Fi (25), (29)	6 x Fi (25), (29)
		28 x 4	28 x 6	28 x 8	28 x 8
Wire Rope	Construction	6 x 37	6 x 37	6 x 37	6 x 37
	Dia.(mm) x No. of Ropes	14 x 4	16 x 4	20 x 4	22.4 x 4
Brake		DC Magnet Disc Brake			
Dimensions (mm) (approx.)	H	1500	1750	1965	1965
	A	1455	1780	2030	2030
	B	1360	1950	2200	2200
	C	560	905	1000	1000
	D	855	1100	1005	1005
	E	1000	1100	1100	1100
	L	1075	1430	1930	1930
	M	1500	2250	2750	2750
N	1000	1600	1600	1600	
Ø d	47	63	63	63	
Weight (approx. - kg)		4200	6000	8200	8200

Monorail Type Hoist

Trust our experience to manage your business

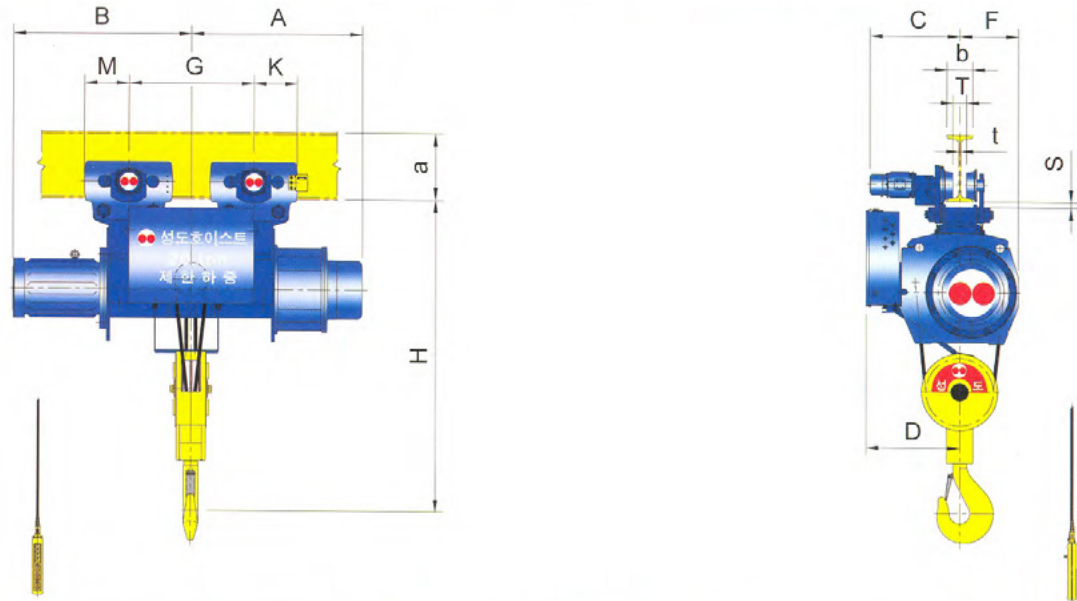
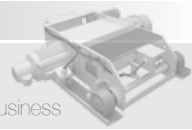


Model		SM 1-M	SM 2-M	SM 2.8-M	SM 3-M	SM 5-M															
Capacity (Ton)		1	2	2.8	3	5															
Type	Hoisting / Traversing Speed	High / High	SM1-H6(12)-MH	SM2-H6(12)-MH	SM2.8-H6(12)-MH	SM3-H6(12)-MH	SM5-H6(12)-MH														
		High / Low	SM1-H6(12)-ML	SM2-H6(12)-ML	SM2.8-H6(12)-ML	SM3-H6(12)-ML	SM5-H6(12)-ML														
		Low / High	SM1-L6(12)-MH	SM2-L6(12)-MH	SM2.8-L6(12)-MH	SM3-L6(12)-MH	SM5-L6(12)-MH														
		Low / Low	SM1-L6(12)-ML	SM2-L6(12)-ML	SM2.8-L6(12)-ML	SM3-L6(12)-ML	SM5-L6(12)-ML														
Hoist	Maximum Lift (m)		6 (12)	6 (12)	6 (12)	6 (12)	6 (12)														
	Hoisting Speed (m/min)	High Speed 50/60 (Hz)	10 / 12	8.4 / 10	7.5 / 9	7.5 / 9	4.7 / 5.6														
		Low Speed 50/60 (Hz)	6.6 / 8	5.4 / 6.5	3.7 / 4.5	3.7 / 4.5	3.5 / 4.2														
	Hoisting Motor (kw x P)	High Speed	2.4 x 4	3.7 x 4	5.0 x 4	5.5 x 4	5.5 x 6														
		Low Speed	1.5 x 6	2.5 x 6	2.5 x 8	2.8 x 8	4.2 x 8														
	Wire Rope	Construction	6 x 37	6 x 37	6 x 37	6 x 37	6 x 37														
Dia.(mm) x No. of Ropes		8 x 2	10 x 2	12.5 x 2	12.5 x 2	16 x 2															
Brake		DC Magnet Disc Brake																			
T / S	Traversing Speed (m/min)	High Speed 50/60 (Hz)	20 / 24	20 / 24	20 / 24	20 / 24	20 / 24														
		Low Speed 50/60 (Hz)	13 / 16	13 / 16	13 / 16	13 / 16	13 / 16														
	Traversing Motor (kw x P)	High Speed	0.4 x 4	0.75 x 4	0.75 x 4	0.75 x 4	0.75 x 4														
		Low Speed	0.2 x 6	0.5 x 6	0.5 x 6	0.5 x 6	0.5 x 6														
Dimensions (mm) (approx.)	H	815	980	1115	1115	1325															
	A	400 (500)	470 (570)	520 (620)	520 (620)	625 (715)															
	B	380 (480)	430 (530)	455 (555)	455 (555)	525 (615)															
	D	290	320	365	365	420															
	G	255	260	260	260	276															
	K	200	225	225	225	276															
	a x b x t	C	F	S	T	C	F	S	T	C	F	S	T	C	F	S	T				
I-Beam and Spacing (mm)	200 X 100 X 7	385	160	38	46	440	195	35	47	-	-	-	-	-	-	-	-	-			
	250 X 125 X 7.5	385	160	37	71	445	195	34	72	445	200	34	72	445	200	34	72	470	240	45	60
	300 X 150 X 10	410	160	37	96	465	195	29	97	465	200	34	97	465	200	34	97	480	240	45	85
Min. Radius of Curvature (m)		1.5		1.8		1.8		1.8		2.3											
Weight (approx. - kg)		190 (218)		278 (314)		374 (418)		374 (418)		580 (642)											

- Note 1. Figures in () are for hoists of 12m lift
- Note 2. The size of I-Beam in [] section is standard for each model. Other I-Beam can also be used (spacer).
- Note 3. If there is a curved beam then there should be indication in advance.

Monorail Type Hoist

Trust our experience to manage your business

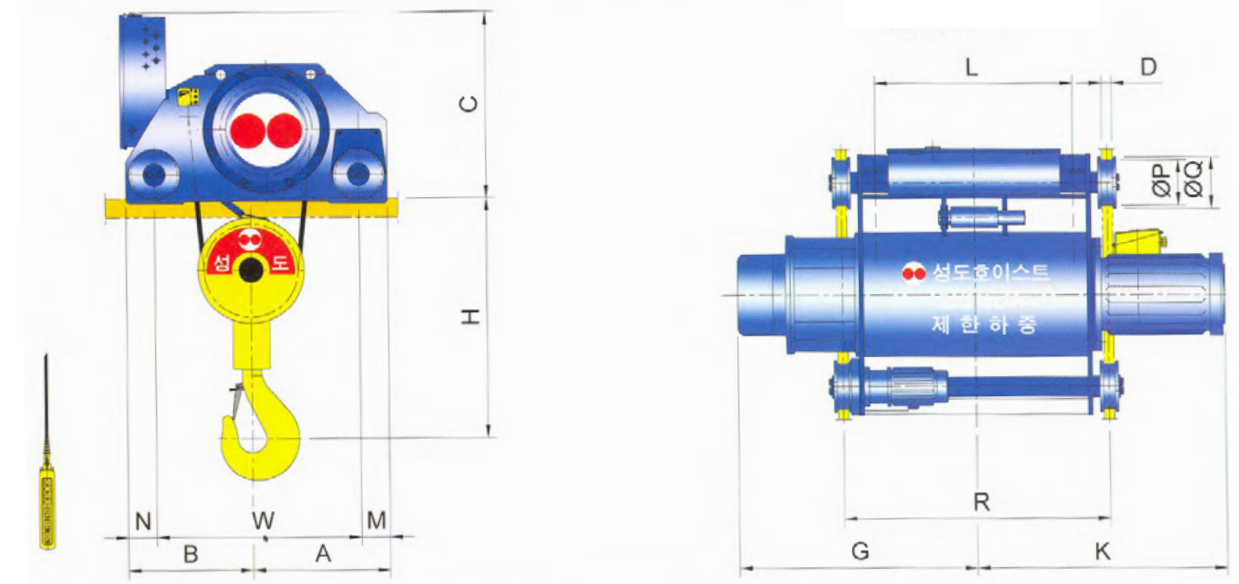
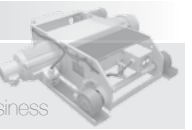


Model		SM 7.5-M	SM 10-M	SM 15-M	SM 20-M												
Capacity (Ton)		7.5	10	15	20												
Type	Hoisting / Traversing Speed	High / High	SM7.5-H12-MH	SM10-H12-MH	SM15-H12-MH	SM20-H12-MH											
		High / Low	SM7.5-H12-ML	SM10-H12-ML	SM15-H12-ML	SM20-H12-ML											
		Low / High	SM7.5-L12-MH	SM10-L12-MH	SM15-L12-MH	SM20-L12-MH											
		Low / Low	SM7.5-L12-ML	SM10-L12-ML	SM15-L12-ML	SM20-L12-ML											
Hoist	Maximum Lift (m)		12	11.5	12	12											
	Hoisting Speed (m/min)	High Speed 50/60 (Hz)	3.1 / 3.8	3.7 / 4.5	3.5 / 4.2	3.5 / 4.2											
		Low Speed 50/60 (Hz)	2.3 / 2.8	2.5 / 3	2.3 / 2.8	2.3 / 2.8											
	Hoisting Motor (kw x P)	High Speed	5.5 x 6	9 x 8	13 x 8	17 x 8											
		Low Speed	4.2 x 8	6 x 12	8.5 x 12	11.5 x 12											
	Wire Rope	Construction	6 x 37	6 x 37	6 x 37	6 x 37											
Dia.(mm) x No. of Ropes		14 x 4	16 x 4	20 x 4	22.4 x 4												
Brake																	
T / S	Traversing Speed (m/min)	High Speed 50/60 (Hz)	12.5 / 15	12.5 / 15	12.5 / 15	12.5 / 15											
		Low Speed 50/60 (Hz)	8.3 / 10	8.3 / 10	8.3 / 10	8.3 / 10											
	Traversing Motor (kw x P)	High Speed	2 x 0.75 x 4	2 x 0.75 x 4	2 x 1.5 X 4	2 x 1.5 X 4											
		Low Speed	2 x 0.5 X 6	2 x 0.5 X 6	2 x 1.0 X 6	2 x 1.0 X 6											
Dimensions (mm) (approx.)	H	1460	1565	2115	2115												
	A	925	990	1110	1160												
	B	835	955	1170	1220												
	D	480	545	640	640												
	G	800	800	800	850												
	K	275	275	295	295												
	M	275	275	295	295												
I-Beam and Spacing (mm)	a x b x t	C	F	S	T	C	F	S	T	C	F	S	T	C	F	S	T
	300 X 150 X 10	490	295	35	68	490	320	35	68	-	-	-	-	-	-	-	-
	450 X 175 X 13	505	295	30	93	505	320	30	93	610	400	32	77	610	400	32	77
	600 X 190 X 13	520	295	25	118	520	320	25	118	620	400	32	92	620	400	32	92
Min. Radius of Curvature (m)		For Straight Only															
Weight (approx. - kg)		910		1210		2030		2300									

Note 1. The size of I-Beam in section is standard for each model. Other I-Beam can also be used (spacer).
2. If there is a curved beam then there should be indication in advance.

Doublerail Type Hoist

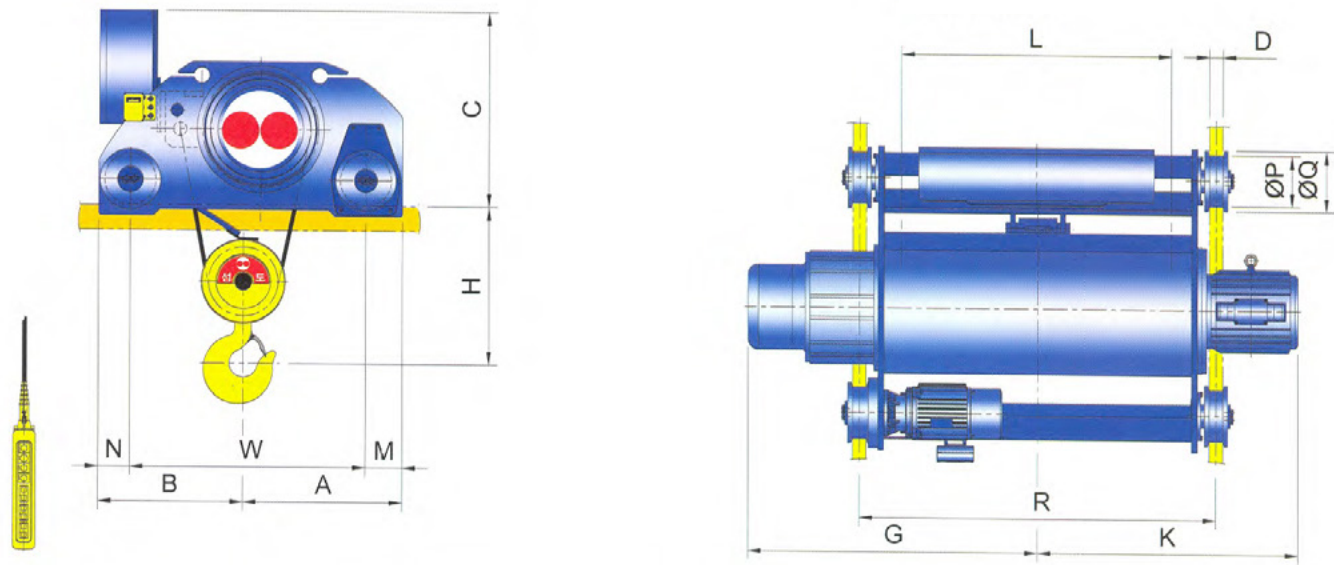
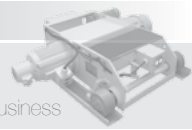
Trust our experience to manage your business



Model		SD 2-M	SD 2.8-M	SD 3-M	SD 5-M	
Capacity (Ton)		2	2.8	3	5	
Type	Hoisting / Traversing Speed	High / High	SD2-H12-MH	SD2.8-H12-MH	SD3-H12-MH	SD5-H12-MH
		High / Low	SD2-H12-ML	SD2.8-H12-ML	SD3-H12-ML	SD5-H12-ML
		Low / High	SD2-L12-MH	SD2.8-L12-MH	SD3-L12-MH	SD5-L12-MH
		Low / Low	SD2-L12-ML	SD2.8-L12-ML	SD3-L12-ML	SD5-L12-ML
Hoist	Maximum Lift (m)		12	12	12	12
	Hoisting Speed (m/min)	High Speed 50/60 (Hz)	8.4 / 10	7.5 / 9	7.5 / 9	4.7 / 5.6
		Low Speed 50/60 (Hz)	5.4 / 6.5	3.7 / 4.5	3.7 / 4.5	3.5 / 4.2
	Hoisting Motor (kw x P)	High Speed	3.7 x 4	5.0 x 4	5.5 x 4	5.5 x 6
		Low Speed	2.5 x 6	2.5 x 8	2.8 x 8	4.2 x 8
	Wire Rope	Construction	6 x 19	6 x 37	6 x 37	6 x 37
Dia.(mm) x No. of Ropes		8 x 4	9 x 4	9 x 4	12.5 x 4	
Brake		DC Magnet Disc Brake				
T/S	Traversing Speed (m/min)	High Speed 50/60 (Hz)	20 / 24	20 / 24	20 / 24	20 / 24
		Low Speed 50/60 (Hz)	13 / 16	13 / 16	13 / 16	13 / 16
	Traversing Motor (kw x P)	High Speed	0.75 x 4	0.75 x 4	0.75 x 4	0.75 x 4
		Low Speed	0.5 X 6	0.5 X 6	0.5 X 6	0.5 X 6
Dimensions (mm) (approx.)	H	415	420	420	510	
	R	950	950	950	1150	
	A	465	465	465	507	
	B	390	390	390	474	
	C	545	570	570	630	
	G	750	785	785	940	
	K	710	715	715	850	
	W	650	650	650	760	
	D	47	47	47	47	
	L	680	690	690	890	
	M	112	112	112	119	
	N	93	93	93	102	
	Ø P	140	140	140	165	
	Ø Q	170	170	170	195	
	Weight (approx. - kg)		450	550	550	850
	Traversing Rail (kg/m)		15	15	15	15

Doublersail Type Hoist

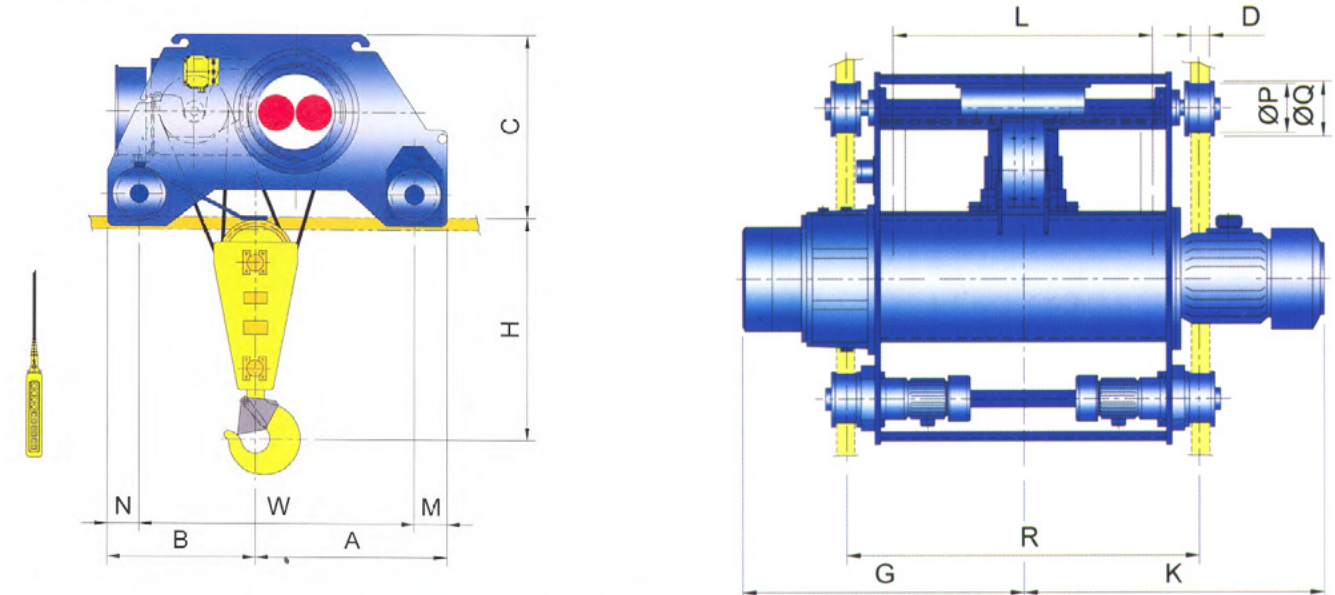
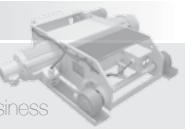
Trust our experience to manage your business



Model		SD 7.5-M	SD 10-M	SD 15-M	SD 20-M	SD 30-M	
Capacity (Ton)		7.5	10	15	20	30	
Type	Hoisting / Traversing Speed	High / High	SD7.5-H12-MH	SD10-H12-MH	SD15-H12-MH	SD20-H12-MH	SD30-H12-MH
		High / Low	SD7.5-H12-ML	SD10-H12-ML	SD15-H12-ML	SD20-H12-ML	SD30-H12-ML
		Low / High	SD7.5-L12-MH	SD10-L12-MH	SD15-L12-MH	SD20-L12-MH	SD30-L12-MH
		Low / Low	SD7.5-L12-ML	SD10-L12-ML	SD15-L12-ML	SD20-L12-ML	SD30-L12-ML
Hoist	Maximum Lift (m)		12	12	12	12	12
	Hoisting Speed (m/min)	High Speed 50/60 (Hz)	3.1 / 3.8	3.7 / 4.5	3.5 / 4.2	3.5 / 4.2	2.3 / 2.8
		Low Speed 50/60 (Hz)	2.3 / 2.8	2.5 / 3	2.3 / 2.8	2.3 / 2.8	1.5 / 1.8
	Hoisting Motor (kw x P)	High Speed	5.5 x 6	9 x 8	13 x 8	17 x 8	17 x 8
		Low Speed	4.2 x 8	6 x 12	8.5 x 12	11.5 x 12	11.5 x 12
	Wire Rope	Construction	6 x 37	6 x 37	6 x 37	6 x 37	6 x 37
Dia.(mm) x No. of Ropes		14 x 4	16 x 4	20 x 4	22.4 x 4	22.4 x 6	
Brake		DC Magnet Disc Brake					
T/S	Traversing Speed (m/min)	High Speed 50/60 (Hz)	12.5 / 15	12.5 / 15	12.5 / 15	12.5 / 15	12.5 / 15
		Low Speed 50/60 (Hz)	8.3 / 10	8.3 / 10	8.3 / 10	8.3 / 10	8.3 / 10
	Traversing Motor (kw x P)	High Speed	0.75 x 4	0.75 x 4	1.5 x 4	1.5 x 4	2 x 1.5 x 4
		Low Speed	0.5 X 6	0.5 X 6	1.0 X 6	1.0 X 6	2 x 1.0 X 6
Dimensions (mm) (approx.)	H	730	775	1175	1175	1480	
	R	1150	1150	1200	1300	1800	
	A	510	565	670	670	930	
	B	495	510	610	610	950	
	C	645	680	910	910	980	
	G	925	990	1110	1145	1405	
	K	835	955	1170	1220	1480	
	W	800	865	1000	1000	1540	
	D	58	58	58	58	70	
	L	850	850	870	935	1420	
	M	110	110	140	140	180	
	N	95	100	140	140	160	
	Ø P	165	165	220	220	250	
	Ø Q	195	195	250	250	280	
Weight (approx. - kg)		900	1200	1850	2300	3450	
Traversing Rail (kg/m)		15	15	22	22	30	

Doublersail Type Hoist

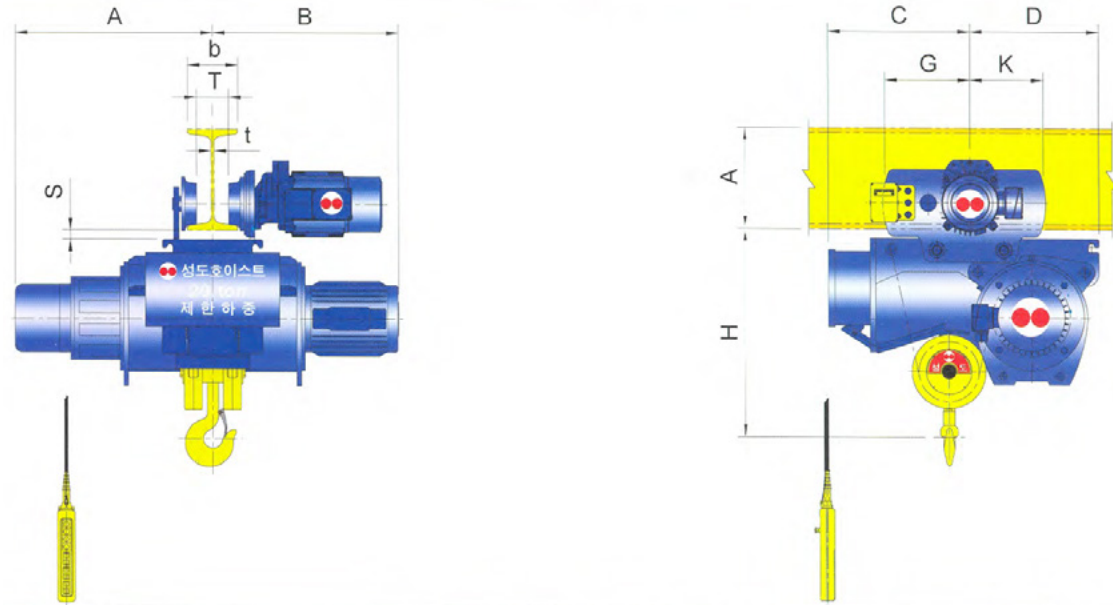
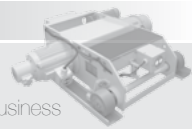
Trust our experience to manage your business



Model		SD 35-M	SD 50-M	SD 60-M	SD 70-M	
Capacity (Ton)		35	50	60	70	
Type	Traversing Speed	High Speed	SD35-H12-MH	SD50-H12-MH	SD60-H12-MH	SD70-H12-MH
		Low Speed	SD35-H12-ML	SD50-H12-ML	SD60-H12-ML	SD70-H12-ML
Hoist	Maximum Lift (m)		12	12	12	12
	Hoisting Speed (m/min) 50/60 (Hz)		4 / 4.8	2.7 / 3.2	2 / 2.4	2 / 2.4
	Hoisting Motor (kw x P)		33 x 6	33 x 6	33 x 6	33 x 6
	Wire Rope	Construction	6 x Fi (25), (29)	6 x Fi (25), (29)	6 x Fi (25), (29)	6 x Fi (25), (29)
		Dia.(mm) x No. of Ropes	28 x 4	28 x 6	28 x 8	28 x 8
Brake		DC Magnet Disc Brake				
T / S	Traversing Speed (m/min)	High Speed 50/60 (Hz)	12.5 / 15	12.5 / 15	12.5 / 15	12.5 / 15
		Low Speed 50/60 (Hz)	8.3 / 10	8.3 / 10	8.3 / 10	8.3 / 10
	Traversing Motor (kw x P)	High Speed	2.2 x 4	2 x 2.2 x 4	2 x 2.2 x 4	2 x 3.7 x 4
		Low Speed	1.5 x 6	2 x 1.5 x 6	2 x 1.5 x 6	2 x 2.2 x 6
Dimensions (mm) (approx.)	H	1490	1750	1965	1965	
	R	1600	2300	2800	2800	
	A	1025	1432	1525	1525	
	B	955	1243	1150	1150	
	C	1015	1220	1220	1220	
	G	1455	1780	2030	2030	
	K	1550	1950	2200	2200	
	W	1550	2125	2125	2075	
	D	70	80	80	80	
	L	1044	1430	1930	1930	
	M	215	275	275	300	
	N	215	275	275	300	
	ØP	355	450	450	500	
	ØQ	395	490	490	540	
Weight (approx. - kg)		5200	7000	8500	9000	
Traversing Rail (kg/m)		37	50	50	50	

Lowhead Type Hoist

Trust our experience to manage your business

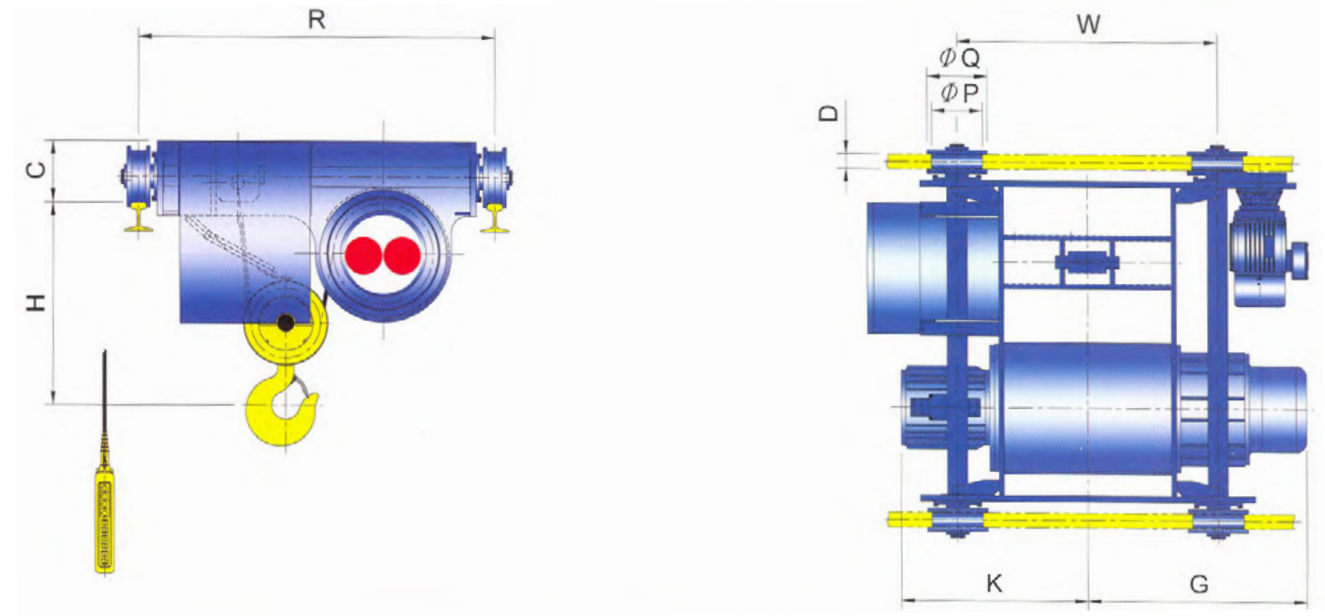
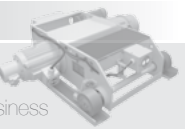


Model		SL 1-M	SL 2-M	SL 2.8-M	SL 3-M	SL 5-M	
Capacity (Ton)		1	2	2.8	3	5	
Type	Hoisting / Traversing Speed	High / High	SL1-H6-MH	SL2-H6-MH	SL2.8-H6-MH	SL3-H6-MH	SL5-H6-MH
		High / Low	SL1-H6-ML	SL2-H6-ML	SL2.8-H6-ML	SL3-H6-ML	SL5-H6-ML
		Low / High	SL1-L6-MH	SL2-L6-MH	SL2.8-L6-MH	SL3-L6-MH	SL5-L6-MH
		Low / Low	SL1-L6-ML	SL2-L6-ML	SL2.8-L6-ML	SL3-L6-ML	SL5-L6-ML
Hoist	Maximum Lift (m)		6	6	6	6	6
	Hoisting Speed (m/min)	High Speed 50/60 (Hz)	10/ 12	8.4 / 10	7.5 / 9	7.5 / 9	4.7 / 5.6
		Low Speed 50/60 (Hz)	6.6 / 8	5.4 / 6.5	3.7 / 4.5	3.7 / 4.5	3.5 / 4.2
	Hoisting Motor (kw x P)	High Speed	2.4 x 4	3.7 x 4	5.0 x 4	5.5 x 4	5.5 x 6
		Low Speed	1.5 x 6	2.5 x 6	2.5 x 8	2.8 x 8	4.2 x 8
	Wire Rope	Construction	6 x 19	6 x 19	6 x 37	6 x 37	6 x 37
Dia.(mm) x No. of Ropes		6 x 4	8 x 4	9 x 4	9 x 4	11.2 x 4	
Brake		DC Magnet Disc Brake					
T/S	Traversing Speed (m/min)	High Speed 50/60 (Hz)	20 / 24	20 / 24	20 / 24	20 / 24	20 / 24
		Low Speed 50/60 (Hz)	13 / 16	13 / 16	13 / 16	13 / 16	13 / 16
	Traversing Motor (kw x P)	High Speed	0.4 x 4	0.75 x 4	0.75 x 4	0.75 x 4	0.75 x 4
		Low Speed	0.2 x 6	0.5 x 6	0.5 x 6	0.5 x 6	0.5 x 6
Dimensions (mm) (approx.)	H	550	620	620	620	750	
	A	500	595	625	625	715	
	B	480	555	555	555	625	
	C	405	455	510	510	584	
	D	290	385	395	395	466	
	G	255	260	260	260	275	
	K	200	225	225	225	275	
I-Beam and Spacing (mm)	a x b x t	S	T	S	T	S	T
	200 X 100 X 7	38	46	34	46	-	-
	250 X 125 X 7.5	37	71	34	72	34	72
	300 X 150 X 10	37	96	34	97	34	97
Min. Radius of Curvature (m)		1.5	1.8	1.8	1.8	2.3	
Weight (approx. - kg)		200	350	440	440	680	

Note 1. The size of I-Beam in section is standard for each model. Other I-Beam can also be used (spacer).
2. If there is a curved beam then there should be indication in advance.

Double Lowhead Type Hoist

Trust our experience to manage your business

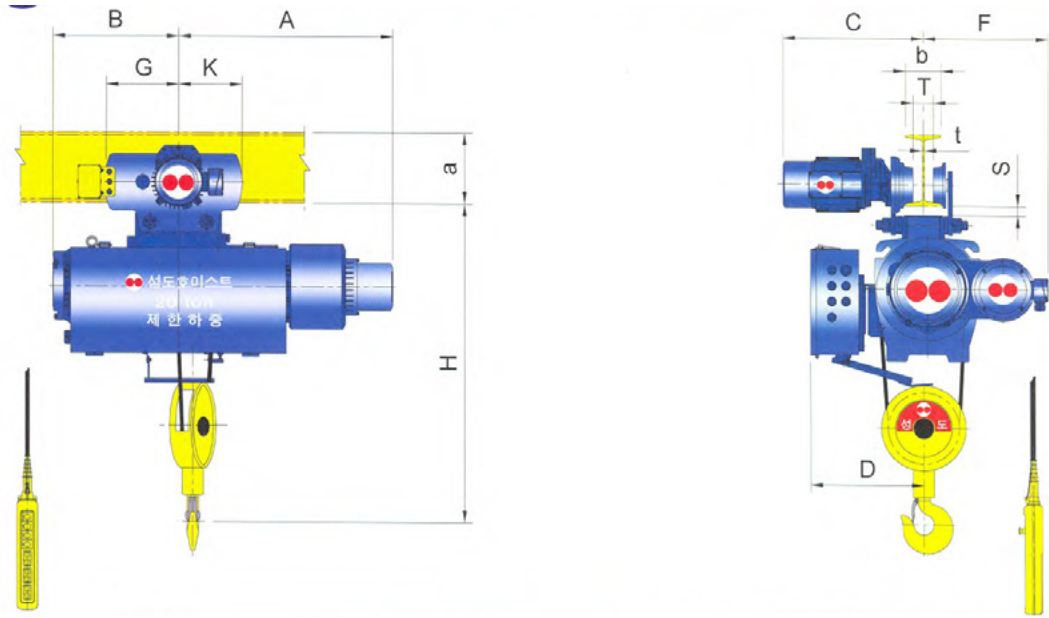
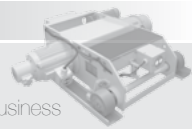


Model		SDL 2-M	SDL 2.8-M	SDL 3-M	SDL 5-M	SDL 7.5-M	SDL 10-M	
Capacity (Ton)		2	2.8	3	5	7.5	10	
Type	Hoisting / Traversing Speed	High / High	SDL2-H6(12)-MH	SDL2.8-H6(12)-MH	SDL3-H6(12)-MH	SDL5-H6(12)-MH	SDL7.5-H6(12)-MH	SDL10-H12-MH
		High / Low	SDL2-H6(12)-ML	SDL2.8-H6(12)-ML	SDL3-H6(12)-ML	SDL5-H6(12)-ML	SDL7.5-H6(12)-ML	SDL10-H12-ML
		Low / High	SDL2-L6(12)-MH	SDL2.8-L6(12)-MH	SDL3-L6(12)-MH	SDL5-L6(12)-MH	SDL7.5-L6(12)-MH	SDL10-L12-MH
		Low / Low	SDL2-L6(12)-ML	SDL2.8-L6(12)-ML	SDL3-L6(12)-ML	SDL5-L6(12)-ML	SDL7.5-L6(12)-ML	SDL10-L12-ML
		Maximum Lift (m)	6 (12)	6 (12)	6 (12)	6 (12)	6 (12)	11.5
Hoist	Hoisting Speed (m/min)	High Speed 50/60 (Hz)	8.4 / 10	7.5 / 9	7.5 / 9	4.7 / 5.6	3.1 / 3.8	3.7 / 4.5
		Low Speed 50/60 (Hz)	5.4 / 6.5	3.7 / 4.5	3.7 / 4.5	3.5 / 4.2	2.3 / 2.8	2.5 / 3
	Hoisting Motor (kw x P)	High Speed	3.7 x 4	5.0 x 4	5.5 x 4	5.5 x 6	5.5 x 6	9 x 8
		Low Speed	2.5 x 6	2.5 x 8	2.8 x 8	4.2 x 8	4.2 x 8	6 x 12
	Wire Rope	Construction	6 x 19	6 x 37	6 x 37	6 x 37	6 x 37	6 x 37
		Dia.(mm) x No. of Ropes	8 x 4	9 x 4	9 x 4	11.2 x 4	14 x 4	16 x 4
Brake		DC Magnet Disc Brake						
T/S	Traversing Speed (m/min)	High Speed 50/60 (Hz)	20 / 24	20 / 24	20 / 24	20 / 24	12.5 / 15	12.5 / 15
		Low Speed 50/60 (Hz)	13 / 16	13 / 16	13 / 16	13 / 16	8.3 / 10	8.3 / 10
	Traversing Motor (kw x P)	High Speed	0.75 x 4	0.75 x 4	0.75 x 4	0.75 x 4	0.75 x 4	0.75 x 4
		Low Speed	0.5 X 6	0.5 X 6	0.5 X 6	0.5 X 6	0.5 X 6	0.5 X 6
Dimensions (mm) (approx.)	H	585	585	585	600	950	1300	
	R	950	950	950	1150	1250	1400	
	C	200	200	200	200	200	350	
	G	595 (750)	620 (785)	620 (785)	715 (940)	715 (925)	990	
	K	555 (710)	540 (715)	540 (715)	625 (850)	625 (835)	955	
	W	730 (1060)	730 (1060)	730 (1060)	840 (1300)	840 (1300)	900	
	D	47	47	47	47	58	58	
	ØP	140	140	140	165	165	165	
	ØQ	170	170	170	195	195	195	
	Weight (approx. - kg)		420 (470)	450 (500)	450 (500)	750 (810)	800 (900)	1250
Traversing Rail (kg/m)		15	15	15	15	15	15	

Note 1. Figures in () are for hoists of 12m lift
2. Lift height over 6m is available
3. For 10 ton, only 12m height is available

Creep - Monorail Type Hoist

Trust our experience to manage your business

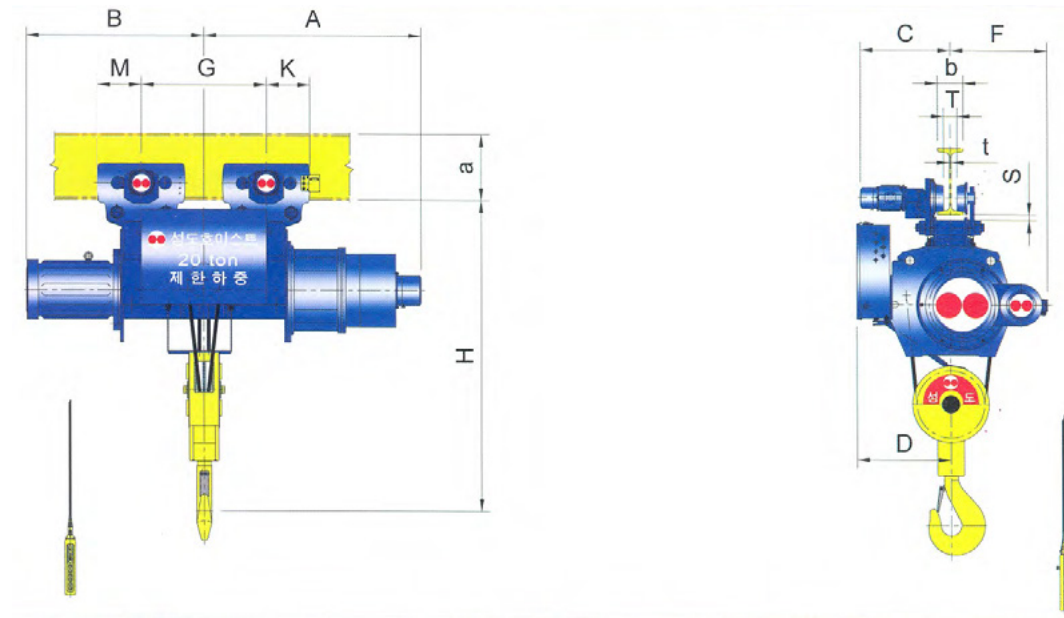
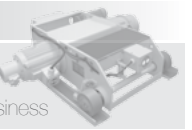


Model		CSM 1-M	CSM 2-M	CSM 2.8-M	CSM 3-M	CSM 5-M											
Capacity (Ton)		1	2	2.8	3	5											
Type	Traversing Speed	High Speed	CSM1-H6(12)-MH	CSM2-H6(12)-MH	CSM2.8-H6(12)-MH	CSM3-H6(12)-MH	CSM5-H6(12)-MH										
		Low Speed	CSM1-H6(12)-ML	CSM2-H6(12)-ML	CSM2.8-H6(12)-ML	CSM3-H6(12)-ML	CSM5-H6(12)-ML										
Hoist	Maximum Lift (m)		6 (12)	6 (12)	6 (12)	6 (12)	6 (12)										
	Hoisting Speed High/ Creep Speed (m/min)	50 (Hz)	10 / 1	8.4 / 0.84	7.5 / 0.75	7.5 / 0.75	4.7 / 0.47										
		60 (Hz)	12 / 1.2	10 / 1	9 / 0.9	9 / 0.9	5.6 / 0.56										
	Hoisting Motor High / Creep Speed (kw x P)		2.4 / 0.4 x 4	3.7 / 0.4 x 4	5.0 / 1.5 x 4	5.0 / 1.5 x 4	5.5 / 1 x 6										
	Wire Rope	Construction	6 x 37	6 x 37	6 x 37	6 x 37	6 x 37										
Dia.(mm) x No. of Ropes		8 x 2	10 x 2	12.5 x 2	12.5 x 2	16 x 2											
Brake		DC Magnet Disc Brake															
T/S	Traversing Speed (m/min)	High Speed 50/60 (Hz)	20 / 24	20 / 24	20 / 24	20 / 24	20 / 24										
		Low Speed 50/60 (Hz)	13 / 16	13 / 16	13 / 16	13 / 16	13 / 16										
	Traversing Motor (kw x P)	High Speed	0.4 x 4	0.75 x 4	0.75 x 4	0.75 x 4	0.75 x 4										
		Low Speed	0.2 x 6	0.5 x 6	0.5 x 6	0.5 x 6	0.5 x 6										
Dimensions (mm) (approx.)	H	815	980	1115	1115	1325											
	A	580 (680)	625 (725)	755 (855)	755 (855)	850 (950)											
	B	380 (480)	430 (530)	455 (555)	455 (555)	525 (615)											
	D	290	320	365	365	420											
	G	350	395	390	390	420											
	G	255	260	260	260	276											
	G	255	260	260	260	276											
	K	200	225	225	225	276											
I-Beam and Spacing (mm)	a x b x t	C	S	T	C	S	T	C	S	T	C	S	T	C	S	T	
	200 X 100 X 7	385	38	46	440	35	47	-	-	-	-	-	-	-	-	-	-
	250 X 125 X 7.5	395	37	71	445	34	72	445	34	72	445	34	72	470	45	61	
	300 X 150 X 10	410	37	96	465	34	97	465	34	97	465	34	97	480	45	86	
Min. Radius of Curvature (m)		1.5		1.8		1.8		1.8		1.8		2.3					
Weight (approx. - kg)		225 (245)		320 (355)		415 (460)		415 (460)		635 (700)							

Note 1. Figures in () are for hoists of 12m lift
 2. The size of I-Beam in [] section is standard for each model. Other I-Beam can also be used (spacer).
 3. If there is a curved beam then there should be indication in advance.

Creep - Monorail Type Hoist

Trust our experience to manage your business

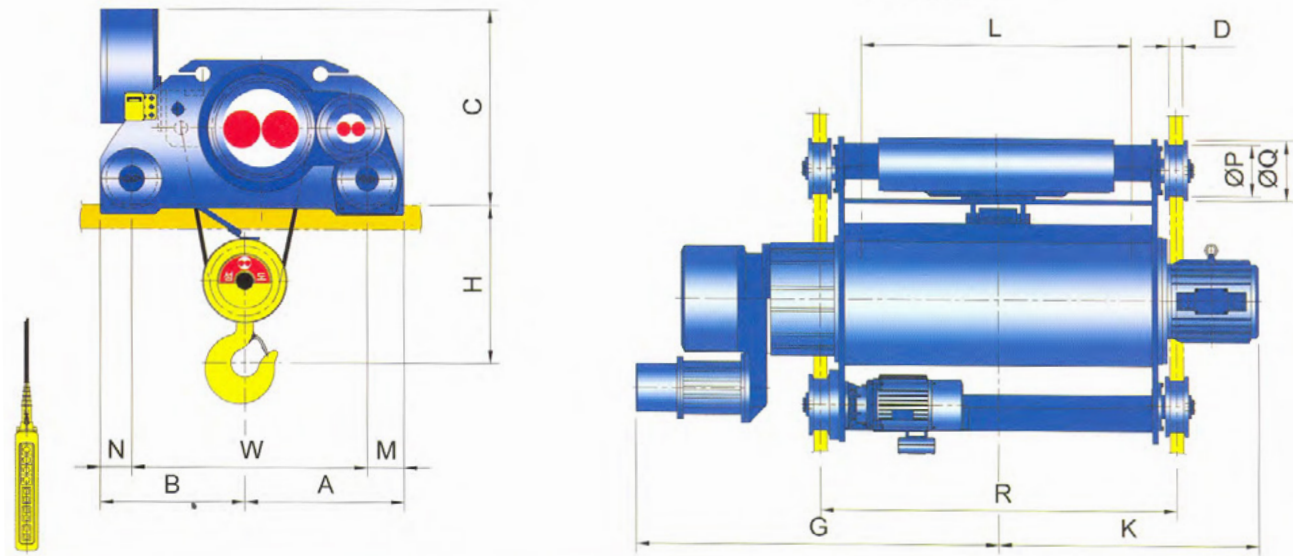
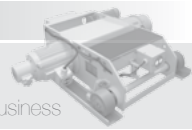


Model		CSM 7.5-M	CSM 10-M	CSM 15-M	CSM 20-M								
Capacity (Ton)		7.5	10	15	20								
Type	Traversing Speed	High Speed	CSM7.5-H12-MH	CSM10-H12-MH	CSM15-H12-MH	CSM20-H12-MH							
		Low Speed	CSM7.5-H12-ML	CSM10-H12-ML	CSM15-H12-ML	CSM20-H12-ML							
Hoist	Maximum Lift (m)		12	12	12	12							
	Hoisting Speed High/ Creep Speed (m/min)	50 (Hz)	3.1 / 0.31	3.7 / 0.37	3.5 / 0.35	3.5 / 0.35							
		60 (Hz)	3.8 / 0.38	4.5 / 0.45	4.2 / 0.42	4.2 / 0.42							
	Hoisting Motor High / Creep Speed (kw x P)		5.5 / 1 x 6	9 / 1.1 x 8	13 / 1.8 x 8	17 / 1.8 x 8							
	Wire Rope	Construction	6 x 37	6 x 37	6 x 37	6 x 37							
Dia.(mm) x No. of Ropes		14 x 4	16 x 4	20 x 4	22.4 x 4								
Brake		DC Magnet Disc Brake											
T/S	Traversing Speed (m/min)	High Speed 50/60 (Hz)	12.5 / 15	12.5 / 15	12.5 / 15	12.5 / 15							
		Low Speed 50/60 (Hz)	8.3 / 10	8.3 / 10	8.3 / 10	8.3 / 10							
	Traversing Motor (kw x P)	High Speed	2 x 0.75 x 4	2 x 0.75 x 4	2 x 1.5 X 4	2 x 1.5 X 4							
		Low Speed	2 x 0.5 X 6	2 x 0.5 X 6	2 x 1.0 X 6	2 x 1.0 X 6							
Dimensions (mm) (approx.)	H	1460	1565	2115	2115								
	A	1170	1230	1430	1480								
	B	835	955	1170	1220								
	D	480	545	640	640								
	F	460	525	660	660								
	L	850	850	870	935								
	G	800	800	800	850								
	M	275	275	295	295								
K	275	275	295	295									
I-Beam and Spacing (mm)	a x b x t	C	S	T	C	S	T	C	S	T	C	S	T
	300 X 150 X 10	490	35	68	490	35	68	-	-	-	-	-	-
	450 X 175 X 13	505	30	93	505	30	93	610	32	77	610	32	77
	600 X 190 X 13	520	32	118	520	32	118	620	37	92	620	37	92
Min. Radius of Curvature (m)		For Straight Only											
Weight (approx. - kg)		970		1290		2300		2520					

Note 1. The size of I-Beam in [] section is standard for each model. Other I-Beam can also be used (spacer).
 2. If there is a curved beam then there should be indication in advance.

Creep - Doublerrail Type Hoist

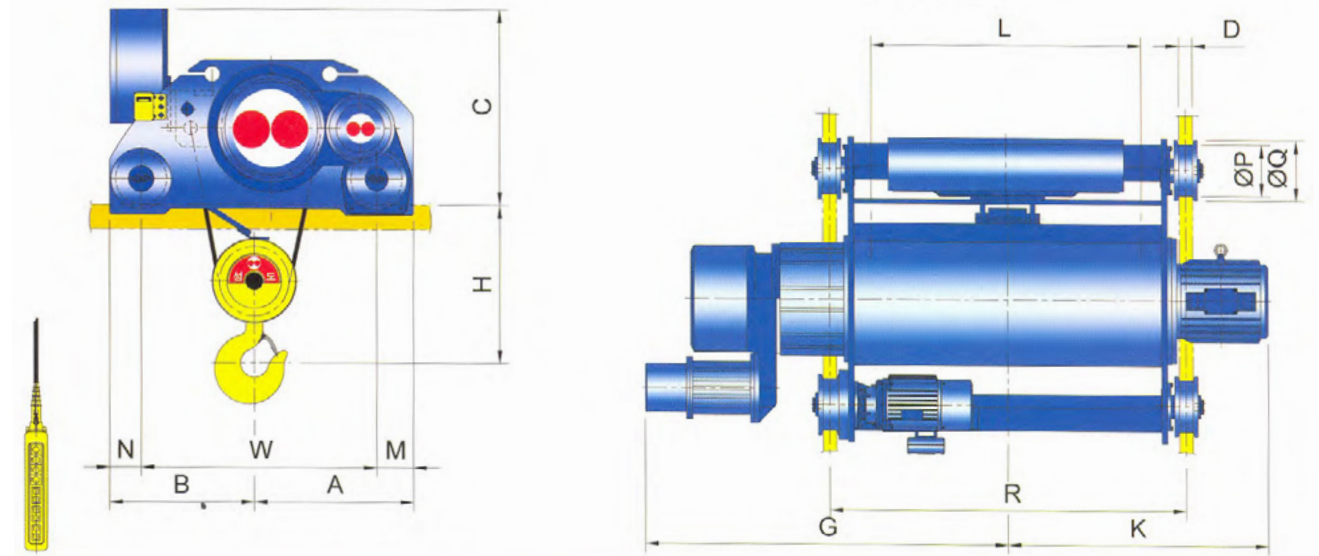
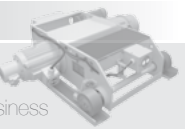
Trust our experience to manage your business



Model			CSD 2-M	CSD 2.8-M	CSD 3-M	CSD 5-M
Capacity (Ton)			2	2.8	3	5
Type	Traversing Speed	High Speed	CSD2-H12-MH	CSD2.8-H12-MH	CSD3-H12-MH	CSD5-H12-MH
		Low Speed	CSD2-H12-ML	CSD2.8-H12-ML	CSD3-H12-ML	CSD5-H12-ML
Hoist	Maximum Lift (m)		12	12	12	12
	Hoisting Speed High/ Creep Speed (m/min)	50 (Hz)	8.4 / 0.84	7.5 / 0.75	7.5 / 0.75	4.7 / 0.47
		60 (Hz)	10 / 1	9 / 0.9	9 / 0.9	5.6 / 0.56
	Hoisting Motor High / Creep Speed (kw x P)		3.7 / 0.4 x 4	5.0 / 1.5 x 4	5.5 / 1.5 x 4	5.5 / 1 x 6
	Wire Rope	Construction	6 x 19	6 x 37	6 x 37	6 x 37
		Dia.(mm) x No. of Ropes	8 x 4	9 x 4	9 x 4	12.5 x 4
Brake			DC Magnet Disc Brake			
T / S	Traversing Speed (m/min)	High Speed 50/60 (Hz)	20 / 24	20 / 24	20 / 24	20 / 24
		Low Speed 50/60 (Hz)	13 / 16	13 / 16	13 / 16	13 / 16
	Traversing Motor (kw x P)	High Speed	0.75 x 4	0.75 x 4	0.75 x 4	0.75 x 4
		Low Speed	0.5 X 6	0.5 X 6	0.5 X 6	0.5 X 6
Dimensions (mm) (approx.)	H	415	420	420	510	
	R	950	950	950	1150	
	A	465	465	465	507	
	B	390	390	390	474	
	C	545	570	570	630	
	G	905	1020	1020	1170	
	K	710	715	715	850	
	W	650	650	650	760	
	D	47	47	47	47	
	L	680	690	690	890	
	M	112	112	112	119	
	N	93	93	93	102	
	ØP	140	140	140	165	
	ØQ	170	170	170	195	
Weight (approx. - kg)		490	590	590	900	
Traversing Rail (kg/m)		15	15	15	15	

Creep - Doublerrail Type Hoist

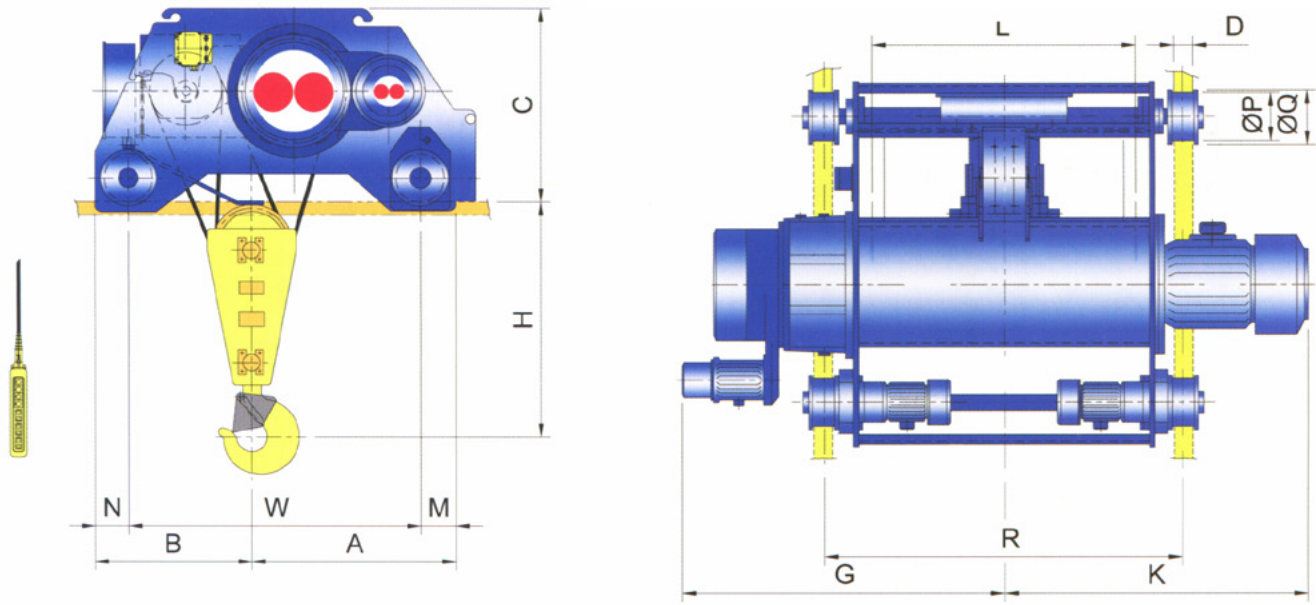
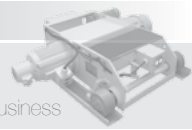
Trust our experience to manage your business



Model			CSD 7.5-M	CSD 10-M	CSD 15-M	CSD 20-M
Capacity (Ton)			7.5	10	15	20
Type	Traversing Speed	High Speed	CSD7.5-H12-MH	CSD10-H12-MH	CSD15-H12-MH	CSD20-H12-MH
		Low Speed	CSD7.5-H12-ML	CSD10-H12-ML	CSD15-H12-ML	CSD20-H12-ML
Hoist	Maximum Lift (m)		12	12	12	12
	Hoisting Speed High/ Creep Speed (m/min)	50 (Hz)	3.1 / 0.31	3.7 / 0.37	3.5 / 0.35	3.5 / 0.35
		60 (Hz)	3.8 / 0.38	4.5 / 0.45	4.2 / 0.42	4.2 / 0.42
	Hoisting Motor High / Creep Speed (kw x P)		5.5 / 1 x 6	9 / 1.1 x 8	13 / 1.8 x 8	17 / 1.8 x 8
	Wire Rope	Construction	6 x 37	6 x 37	6 x 37	6 x 37
		Dia.(mm) x No. of Ropes	14 x 4	16 x 4	20 x 4	22.4 x 4
Brake			DC Magnet Disc Brake			
T / S	Traversing Speed (m/min)	High Speed 50/60 (Hz)	12.5 / 15	12.5 / 15	12.5 / 15	12.5 / 15
		Low Speed 50/60 (Hz)	8.3 / 10	8.3 / 10	8.3 / 10	8.3 / 10
	Traversing Motor (kw x P)	High Speed	0.75 x 4	0.75 x 4	1.5 x 4	1.5 x 4
		Low Speed	0.5 X 6	0.5 X 6	1.0 X 6	1.0 X 6
Dimensions (mm) (approx.)	H	730	775	1175	1175	
	R	1150	1150	1200	1300	
	A	510	565	670	670	
	B	495	510	610	610	
	C	645	700	910	910	
	G	1170	1230	1430	1460	
	K	835	955	1170	1220	
	W	800	865	1000	1000	
	D	58	58	58	58	
	L	850	850	870	935	
	M	110	110	140	140	
	N	95	100	140	140	
	ØP	165	165	220	220	
	ØQ	195	195	250	250	
Weight (approx. - kg)		955	1265	1920	2385	
Traversing Rail (kg/m)		15	15	22	22	

Creep - Doublerrail Type Hoist

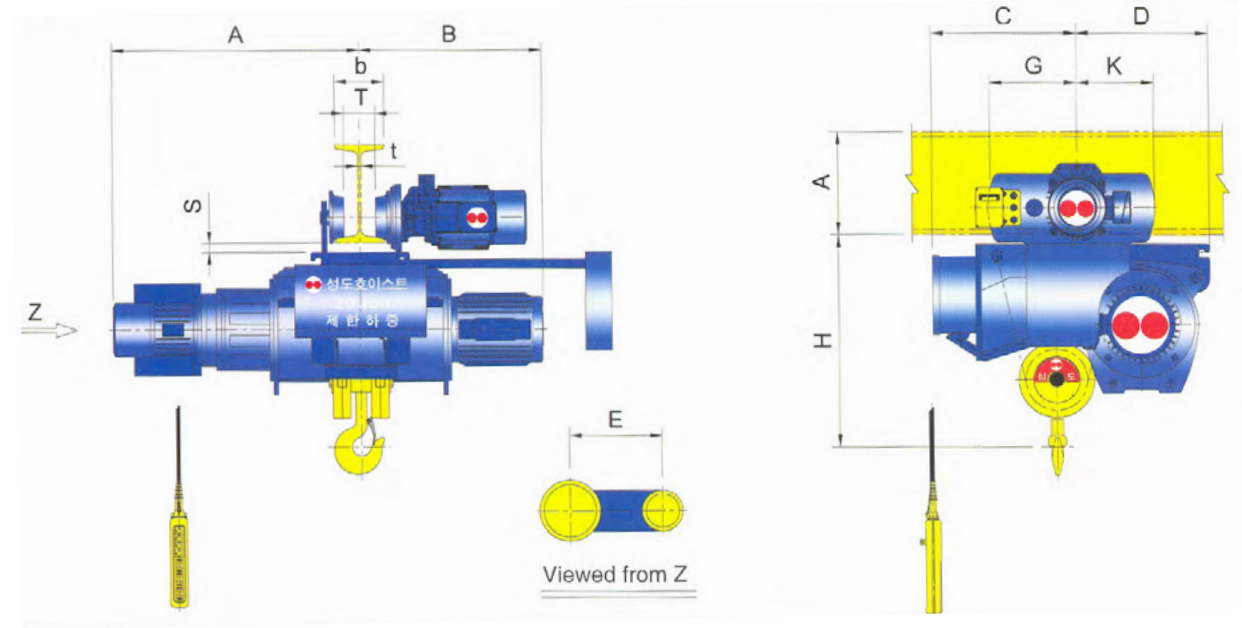
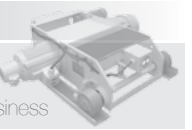
Trust our experience to manage your business



Model			CSD 30-M	CSD 35-M	CSD 50-M	CSD 60-M	CSD 70-M
Capacity (Ton)			30	35	50	60	70
Type	Traversing Speed	High Speed	CSD30-H12-MH	CSD35-H12-MH	CSD50-H12-MH	CSD60-H12-MH	CSD70-H12-MH
		Low Speed	CSD30-H12-ML	CSD35-H12-ML	CSD50-H12-ML	CSD60-H12-ML	CSD70-H12-ML
Hoist	Maximum Lift (m)		12	12	12	12	12
	Hoisting Speed High/ Creep Speed (m/min)	50 (Hz)	2.3 / 0.23	4 / 0.4	2.7 / 0.27	2 / 0.2	2 / 0.2
		60 (Hz)	2.8 / 0.28	4.8 / 0.48	3.2 / 0.32	2.4 / 0.24	2.4 / 0.24
	Hoisting Motor High / Creep Speed (kw x P)		17 / 1.8 x 8	33 x 6 / 3.7 x 4	33 x 6 / 3.7 x 4	33 x 6 / 3.7 x 4	33 x 6 / 3.7 x 4
	Wire Rope	Construction	6 x 37	6 x Fi (25), (29)	6 x Fi (25), (29)	6 x Fi (25), (29)	6 x Fi (25), (29)
Dia.(mm) x No. of Ropes		22.4 x 6	28 x 4	28 x 6	28 x 8	28 x 8	
Brake			DC Magnet Disc Brake				
T/S	Traversing Speed (m/min)	High Speed 50/60 (Hz)	12.5 / 15	12.5 / 15	12.5 / 15	12.5 / 15	12.5 / 15
		Low Speed 50/60 (Hz)	8.3 / 10	8.3 / 10	8.3 / 10	8.3 / 10	8.3 / 10
	Traversing Motor (kw x P)	High Speed	2 x 1.5 x 4	2.2 x 4	2 x 2.2 x 4	2 x 2.2 x 4	2 x 3.7 x 4
		Low Speed	2 x 1.0 x 6	1.5 x 6	2 x 1.5 x 6	2 x 1.5 x 6	2 x 2.2 x 6
Dimensions (mm) (approx.)	H	1480	1490	1750	1965	1965	
	R	1800	1600	2300	2800	2800	
	A	930	1025	1432	1525	1525	
	B	950	955	1243	1150	1150	
	C	980	1015	1220	1220	1220	
	G	1730	1735	2060	2310	2310	
	K	1480	1550	1950	2200	2200	
	W	1540	1550	2125	2125	2075	
	D	70	70	80	80	80	
	L	1420	1044	1430	1930	1930	
	M	180	215	275	275	300	
	N	160	215	275	275	300	
	ØP	250	355	450	450	500	
ØQ	280	395	490	490	540		
Weight (approx. - kg)			3536	5400	7200	9050	9200
Traversing Rail (kg/m)			30	37	50	50	50

Creep - Lowhead Type Hoist

Trust our experience to manage your business

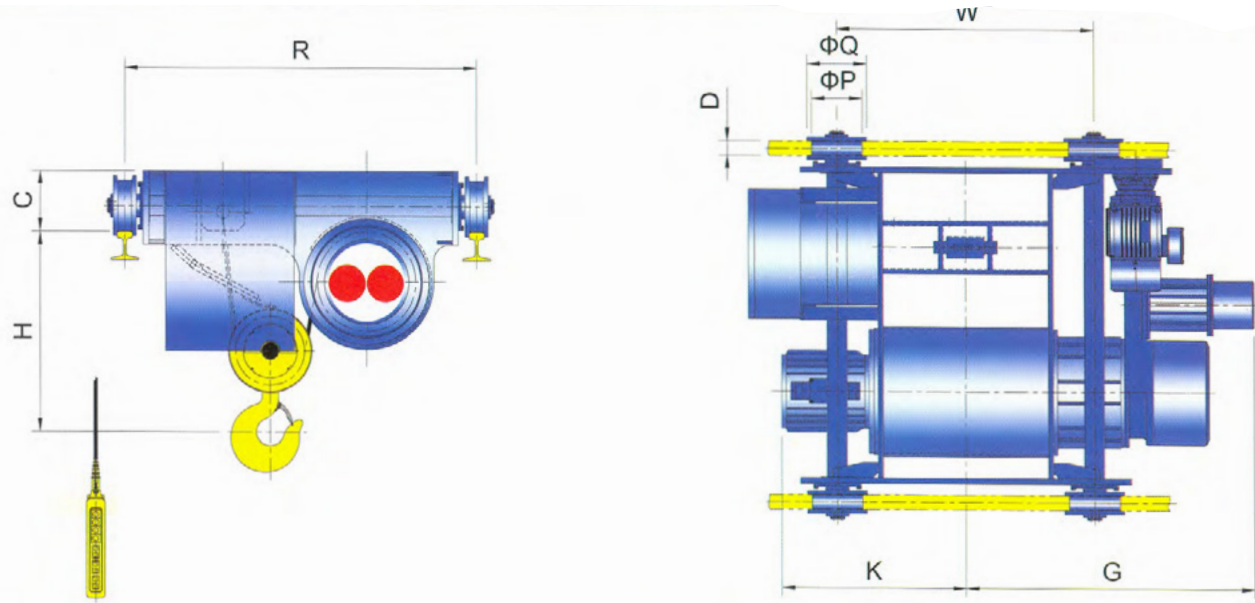
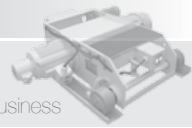


Model			CSL 1-M	CSL 2-M	CSL 2.8-M	CSL 3-M	CSL 5-M				
Capacity (Ton)			1	2	2.8	3	5				
Type	Traversing Speed	High Speed	CSL1-H6-MH	CSL2-H6-MH	CSL2.8-H6-MH	CSL3-H6-MH	CSL5-H6-MH				
		Low Speed	CSL1-H6-ML	CSL2-H6-ML	CSL2.8-H6-ML	CSL3-H6-ML	CSL5-H6-ML				
Hoist	Maximum Lift (m)		6	6	6	6	6				
	Hoisting Speed High/ Creep Speed (m/min)	50 (Hz)	10 / 1	8.4 / 0.84	7.5 / 0.75	7.5 / 0.75	4.7 / 0.47				
		60 (Hz)	12 / 1.2	10 / 1	9 / 0.9	9 / 0.9	5.6 / 0.56				
	Hoisting Motor High / Creep Speed (kw x P)		2.4 / 0.4 x 4	3.7 / 0.4 x 4	5.0 / 1.5 x 4	5.5 / 1.5 x 4	5.5 / 1 x 6				
	Wire Rope	Construction	6 x 19	6 x 19	6 x 37	6 x 37	6 x 37				
Dia.(mm) x No. of Ropes		6 x 4	8 x 4	9 x 4	9 x 4	11.2 x 4					
Brake			DC Magnet Disc Brake								
T/S	Traversing Speed (m/min)	High Speed 50/60 (Hz)	20 / 24	20 / 24	20 / 24	20 / 24	20 / 24				
		Low Speed 50/60 (Hz)	13 / 16	13 / 16	13 / 16	13 / 16	13 / 16				
	Traversing Motor (kw x P)	High Speed	0.4 x 4	0.75 x 4	0.75 x 4	0.75 x 4	0.75 x 4				
		Low Speed	0.2 x 6	0.5 x 6	0.5 x 6	0.5 x 6	0.5 x 6				
Dimensions (mm) (approx.)	H	550	620	620	620	750					
	A	680	740	855	855	940					
	B	480	555	555	555	625					
	C	405	455	510	510	584					
	D	290	385	395	395	466					
	G	255	260	260	260	275					
	K	200	225	225	225	275					
	E	225	257	265	265	288					
	F	560	765	765	765	820					
	I-Beam and Spacing (mm)	a x b x t	S	T	S	T	S	T	S	T	
200 X 100 X 7		38	46	34	47	-	-	-	-	-	
250 X 125 X 7.5		37	71	34	72	34	72	34	72	45	61
300 X 150 X 10		37	96	34	97	34	97	34	97	45	86
450 x 175 x 13		-	-	-	-	-	-	-	-	32	111
Min. Radius of Curvature (m)			1.5	1.8	1.8	1.8	2.3				
Weight (approx. - kg)			275	440	545	545	775				

Note 1. The size of I-Beam in section is standard for each model. Other I-Beam can also be used (spacer).
 2. If there is a curved beam then there should be indication in advance.

Creep - Double Lowhead Type Hoist

Trust our experience to manage your business

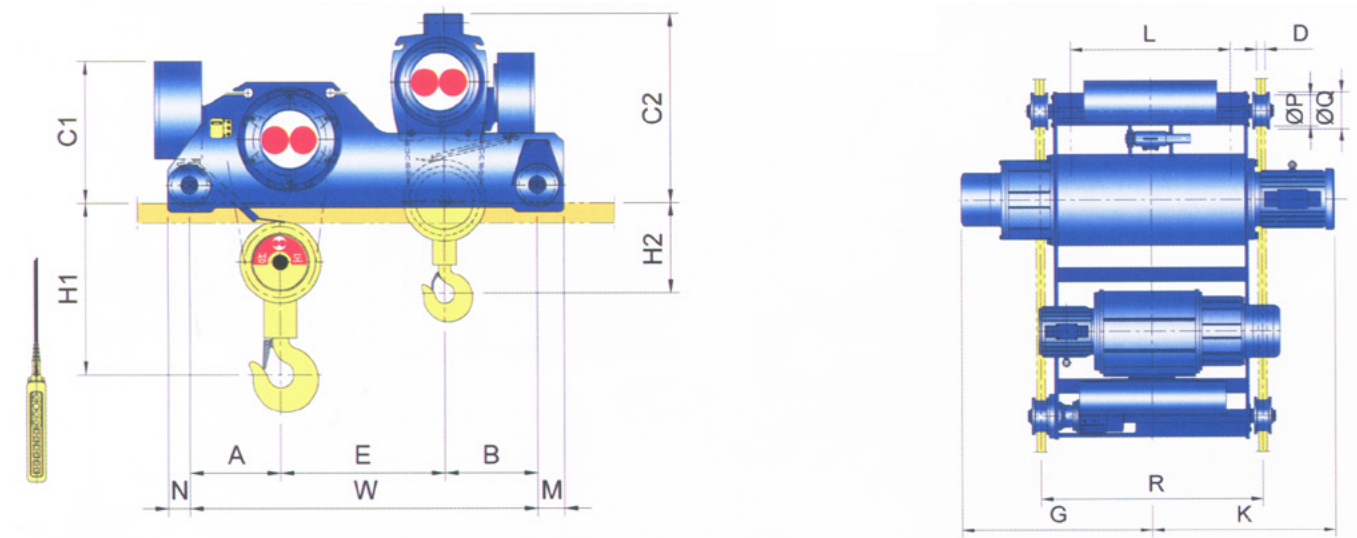
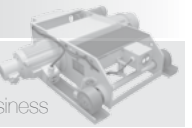


Model			CSDL 2-M	CSDL 2.8-M	CSDL 3-M	CSDL 5-M	CSDL 7.5-M	CSDL 10-M
Capacity (Ton)			2	2.8	3	5	7.5	10
Type	Traversing Speed	High Speed	CSDL2-H6(12)-MH	CSDL2.8-H6(12)-MH	CSDL3-H6(12)-MH	CSDL5-H6(12)-MH	CSDL7.5-H6(12)-MH	CSDL10-H12-MH
		Low Speed	CSDL2-H6(12)-ML	CSDL2.8-H6(12)-ML	CSDL3-H6(12)-ML	CSDL5-H6(12)-ML	CSDL7.5-H6(12)-ML	CSDL10-H12-ML
Hoist	Maximum Lift (m)		6 (12)	6 (12)	6 (12)	6 (12)	6 (12)	11.5
	Hoisting Speed High/ Creep Speed (m/min)	50 (Hz)	8.4 / 0.84	7.5 / 0.75	7.5 / 0.75	4.7 / 0.47	3.1 / 0.31	3.7 / 0.37
		60 (Hz)	10 / 1	9 / 0.9	9 / 0.9	5.6 / 0.56	3.8 / 0.38	4.5 / 0.45
	Hoisting Motor High / Creep Speed (kw x P)		3.7 / 0.4 x 4	5.0 / 1.5 x 4	5.5 / 1.5 x 4	5.5 / 1.0 x 6	5.5 / 1.0 x 6	9 / 1.1 x 8
	Wire Rope	Construction	6 x 19	6 x 37	6 x 37	6 x 37	6 x 37	6 x 37
		Dia.(mm) x No. of Ropes	8 x 4	9 x 4	9 x 4	11.2 x 4	14 x 4	16 x 4
Brake		DC Magnet Disc Brake						
T/S	Traversing Speed (m/min)	High Speed 50/60 (Hz)	20 / 24	20 / 24	20 / 24	20 / 24	12.5 / 15	12.5 / 15
		Low Speed 50/60 (Hz)	13 / 16	13 / 16	13 / 16	13 / 16	8.3 / 10	8.3 / 10
	Traversing Motor (kw x P)	High Speed	0.75 x 4	0.75 x 4	0.75 x 4	0.75 x 4	0.75 x 4	0.75 x 4
		Low Speed	0.5 X 6	0.5 X 6	0.5 X 6	0.5 X 6	0.5 X 6	0.5 X 6
Dimensions (mm) (approx.)	H	585	585	585	600	950	1300	
	R	1150	1150	1150	1400	1400	1400	
	C	200	200	200	200	200	350	
	G	740 (905)	840 (1020)	840 (1020)	940 (1170)	940 (1170)	1230	
	K	555 (710)	540 (715)	540 (715)	625 (850)	625 (835)	955	
	W	730 (1060)	730 (1060)	730 (1060)	840 (1300)	840 (1300)	900	
	D	47	47	47	47	58	58	
	ØP	140	140	140	165	165	165	
	ØQ	170	170	170	195	195	195	
Weight (approx. -kg)		465 (510)	605 (655)	605 (655)	840 (900)	850 (970)	1315	
Traversing Rail (kg/m)		15	15	15	15	15	15	

Note 1. Figures in () are for hoists of 12m lift
2. Lift height over 6m is available

Main & Aux Doublerrail Type Hoist

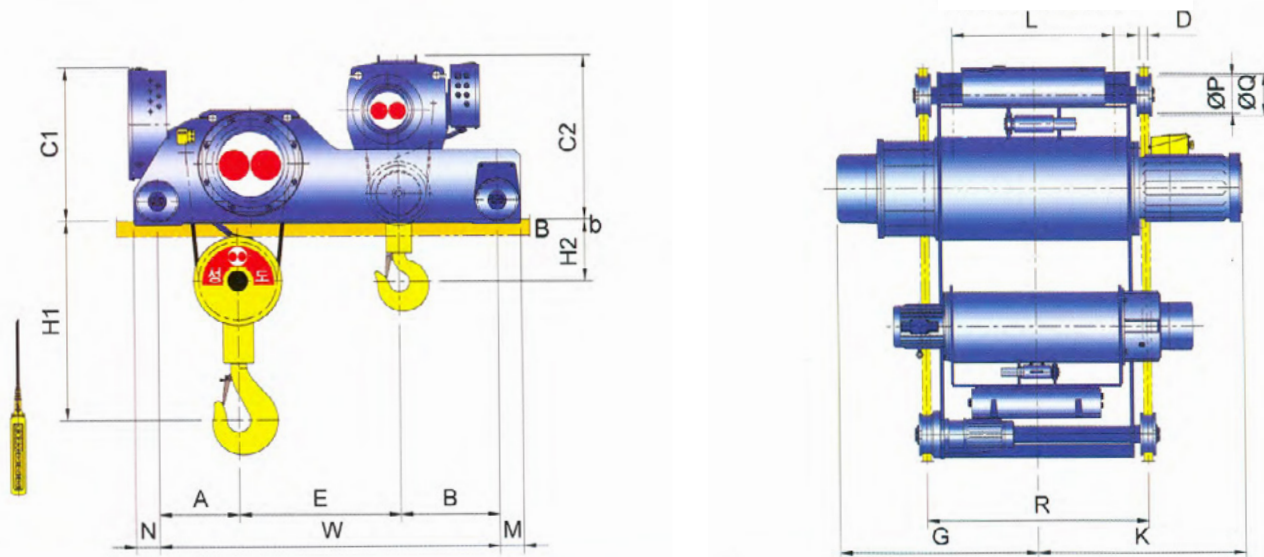
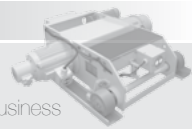
Trust our experience to manage your business



Model			SD 5/3-M		SD 7.5/3-M		SD 10/3-M		SD 10/5-M		SD 15/5-M	
Capacity (Ton)			5	3	7.5	3	10	3	10	5	15	5
Type	Hoisting / Traversing Speed	High / High	SD5/3-H12-MH	SD7.5/3-H12-MH	SD10/3-H12-MH	SD10/5-H12-MH	SD15/5-H12-MH					
		High / Low	SD5/3-H12-ML	SD7.5/3-H12-ML	SD10/3-H12-ML	SD10/5-H12-ML	SD15/5-H12-ML					
		Low / High	SD5/3-L12-MH	SD7.5/3-L12-MH	SD10/3-L12-MH	SD10/5-L12-MH	SD15/5-L12-MH					
		Low / Low	SD5/3-L12-ML	SD7.5/3-L12-ML	SD10/3-L12-ML	SD10/5-L12-ML	SD15/5-L12-ML					
Hoist	Maximum Lift (m)		12	12	12	12	12					
	Hoisting Speed (m/min)	High Speed 50/60 (Hz)	4.7/5.6	7.5/9	3.1/3.8	7.5/9	3.7/4.5	7.5/9	3.7/4.5	4.7/5.6	3.5/4.2	4.7/5.6
		Low Speed 50/60 (Hz)	3.5/4.2	3.7/4.5	2.3/2.8	3.7/4.5	2.5/3	3.7/4.5	2.5/3	3.5/4.2	2.3/2.8	3.5/4.2
	Hoisting Motor (kw x P)	High Speed	5.5 x 6	5.5 x 4	5.5 x 6	5.5 x 4	9 x 8	5.5 x 4	9 x 8	5.5 x 6	13 x 8	5.5 x 6
		Low Speed	4.2 x 8	2.8 x 8	4.2 x 8	2.8 x 8	6 x 12	2.8 x 8	6 x 12	4.2 x 8	8.5 x 12	4.2 x 8
	Wire Rope	Construction	6 x 37	6 x 37	6 x 37	6 x 37	6 x 37	6 x 37	6 x 37	6 x 37	6 x 37	6 x 37
Dia.(mm) x No. of Ropes		12.5 x 4	12.5 x 2	14 x 4	12.5 x 2	16 x 4	12.5 x 2	16 x 4	16 x 2	20 x 4	16 x 2	
Brake		DC Magnet Disc Brake										
T/S	Traversing Speed (m/min)	High Speed 50/60 (Hz)	20 / 24	12.5 / 15	12.5 / 15	12.5 / 15	12.5 / 15					
		Low Speed 50/60 (Hz)	13 / 16	8.3 / 10	8.3 / 10	8.3 / 10	8.3 / 10					
	Traversing Motor (kw x P)	High Speed	0.75 x 4	0.75 x 4	0.75 x 4	0.75 x 4	1.5 x 4					
		Low Speed	0.5 X 6	0.5 X 6	0.5 X 6	0.5 X 6	1.0 x 6					
Dimensions (mm) (approx.)	H1	510	730	775	775	1175						
	H2	250	350	300	400	350						
	R	1150	1150	1150	1150	1200						
	A	370	400	410	410	470						
	B	415	445	450	425	390						
	E	665	605	740	765	790						
	W	1450	1450	1600	1600	1650						
	M	119	110	110	110	140						
	N	102	95	100	100	140						
	C1	630	650	680	680	910						
	C2	800	790	800	880	970						
	G	940	925	990	990	1090						
	K	850	835	955	955	1170						
	L	890	850	850	850	870						
	D	58	58	58	58	58						
	ØP	165	165	165	165	220						
	ØQ	195	195	195	195	250						
Weight (approx. - kg)		1270	1450	1700	1770	2750						
Traversing Rail (kg/m)		15	15	15	15	22						

Main & Aux Doublerrail Type Hoist

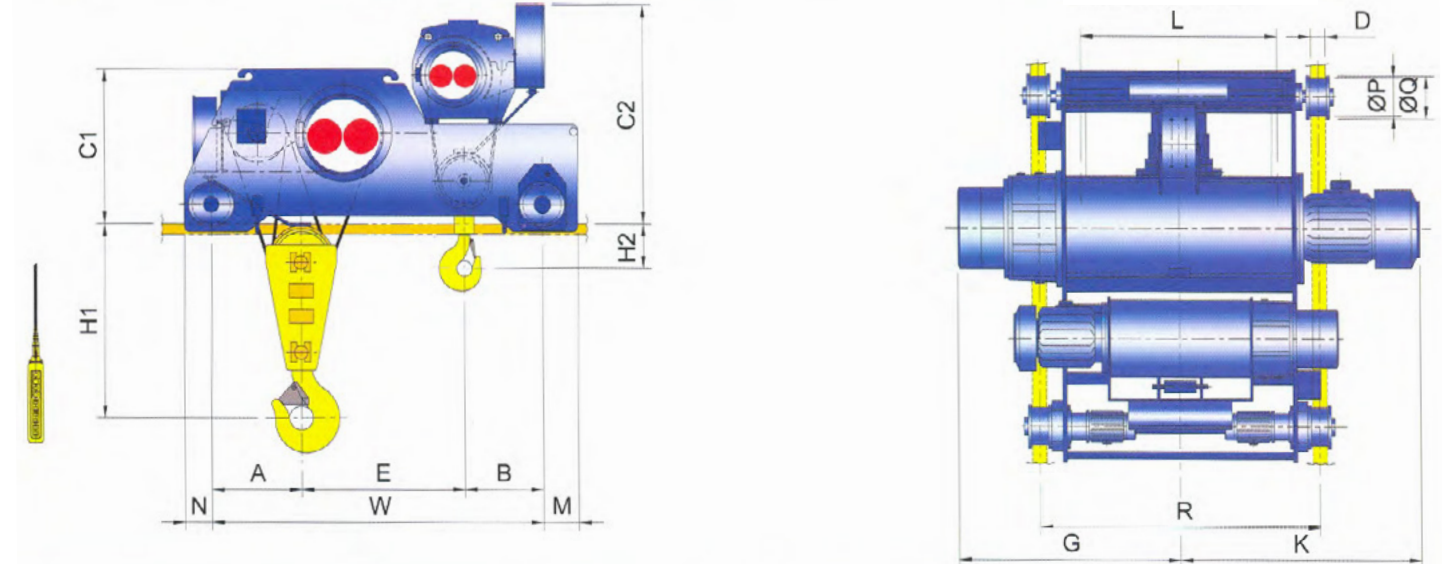
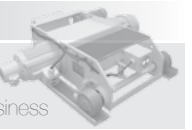
Trust our experience to manage your business



Model		SD 20/5-M		SD 20/10-M		SD 30/5-M		SD 30/10-M		SD 30/15-M		
Capacity (Ton)		20	5	20	10	30	5	30	10	30	15	
Type	Hoisting / Traversing Speed	High / High	SD20/5-H12-MH	SD20/10-H12-MH	SD30/5-H12-MH	SD30/10-H12-MH	SD30/15-H12-MH					
		High / Low	SD20/5-H12-ML	SD20/10-H12-ML	SD30/5-H12-ML	SD30/10-H12-ML	SD30/15-H12-ML					
		Low / High	SD20/5-L12-MH	SD20/10-L12-MH	SD30/5-L12-MH	SD30/10-L12-MH	SD30/15-L12-MH					
		Low / Low	SD20/5-L12-ML	SD20/10-L12-ML	SD30/5-L12-ML	SD30/10-L12-ML	SD30/15-L12-ML					
Hoist	Maximum Lift (m)		12	12	12	12	12	12	12	12	12	
		Hoisting Speed (m/min)	High Speed 50/60 (Hz)	3.5/4.2	4.7/5.6	3.5/4.2	3.7/4.5	2.3/2.8	4.7/5.6	2.3/2.8	3.7/4.5	2.3/2.8
	Low Speed 50/60 (Hz)		2.3/2.8	3.5/4.2	2.3/2.8	2.5/3	1.5/1.8	3.5/4.2	1.5/1.8	2.5/3	1.5/1.8	2.3/2.8
	Hoisting Motor (kw x P)	High Speed	17 x 8	5.5 x 6	17 x 8	9 x 8	17 x 8	5.5 x 6	17 x 8	9 x 8	17 x 8	13 x 8
Low Speed		11.5 x 12	4.2 x 8	11.5 x 12	6 x 12	11.5 x 12	4.2 x 8	11.5 x 12	6 x 12	11.5 x 12	8.5 x 12	
Wire Rope	Construction	6 x 37	6 x 37	6 x 37	6 x 37	6 x 37	6 x 37	6 x 37	6 x 37	6 x 37	6 x 37	
	Dia.(mm) x No. of Ropes	22.4 x 4	16 x 2	22.4 x 4	16 x 4	22.4 x 6	16 x 2	22.4 x 6	16 x 4	22.4 x 6	20 x 4	
Brake		DC Magnet Disc Brake										
T/S	Traversing Speed (m/min)	High Speed 50/60 (Hz)	12.5 / 15	12.5 / 15	12.5 / 15	12.5 / 15	12.5 / 15	12.5 / 15	12.5 / 15	12.5 / 15	12.5 / 15	
		Low Speed 50/60 (Hz)	8.3 / 10	8.3 / 10	8.3 / 10	8.3 / 10	8.3 / 10	8.3 / 10	8.3 / 10	8.3 / 10	8.3 / 10	
	Traversing Motor (kw x P)	High Speed	1.5 x 4	1.5 x 4	2 x 1.5 x 4	2 x 1.5 x 4	2 x 1.5 x 4	2 x 1.5 x 4	2 x 1.5 x 4	2 x 1.5 x 4	2 x 1.5 x 4	
		Low Speed	1.0 x 6	1.0 x 6	2 x 1.0 x 6	2 x 1.0 x 6	2 x 1.0 x 6	2 x 1.0 x 6	2 x 1.0 x 6	2 x 1.0 x 6	2 x 1.0 x 6	
Dimensions (mm) (approx.)	H1	1175	1175	1480	1480	1480	1480	1480	1480	1480	1480	
	H2	350	350	285	285	450	450	650	650	650	650	
	R	1300	1300	1800	1800	1800	1800	1800	1800	1800	1800	
	A	470	470	790	790	790	790	790	790	790	790	
	B	440	580	455	560	590	590	590	590	590	590	
	E	740	950	935	900	1070	1070	1070	1070	1070	1070	
	W	1650	2000	2180	2250	2450	2450	2450	2450	2450	2450	
	M	140	140	180	180	180	180	180	180	180	180	
	N	140	140	160	160	160	160	160	160	160	160	
	C1	910	910	980	980	980	980	980	980	980	980	
	C2	970	970	990	1100	1400	1400	1400	1400	1400	1400	
	G	1160	1160	1405	1405	1405	1405	1405	1405	1405	1405	
	K	1220	1220	1480	1480	1480	1480	1480	1480	1480	1480	
	L	935	935	1420	1420	1420	1420	1420	1420	1420	1420	
	D	58	58	70	80	80	80	80	80	80	80	
	ØP	220	220	250	250	250	250	250	250	250	250	
ØQ	250	250	280	280	280	280	280	280	280	280		
Weight (approx. - kg)		3200	3475	4200	5400	6185	6185	6185	6185	6185	6185	
Traversing Rail (kg/m)		22	22	30	37	37	37	37	37	37	37	

Main & Aux Doublerrail Type Hoist

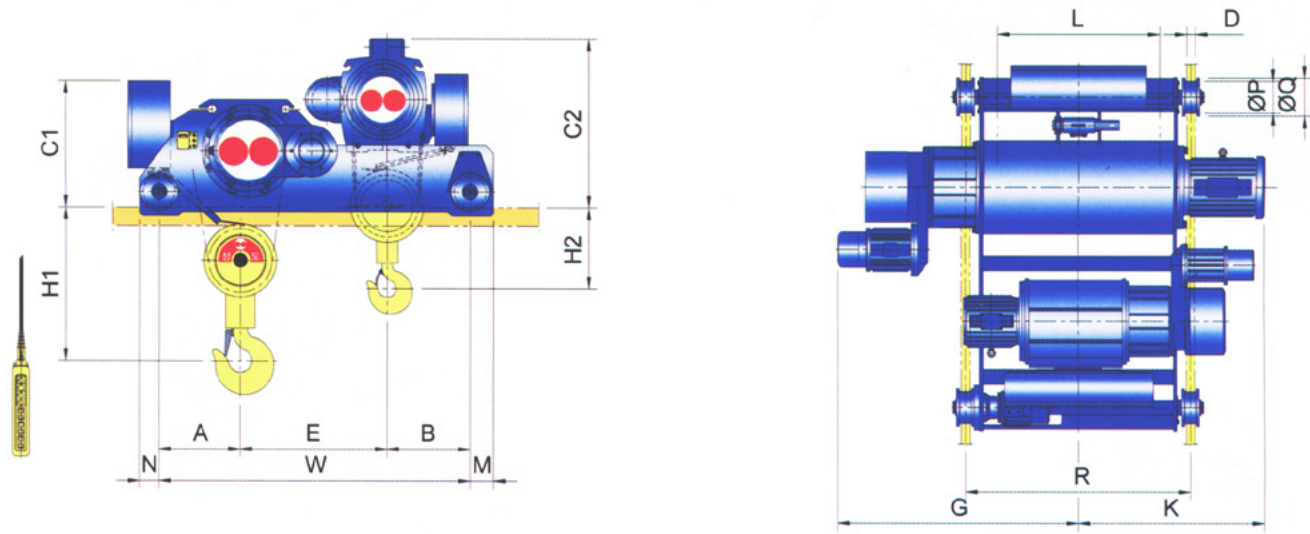
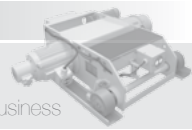
Trust our experience to manage your business



Model		SD 35/10-M		SD 50/15-M		SD 60/20-M		SD 70/20-M		
Capacity (Ton)		35	10	50	15	60	20	70	20	
Type	Hoisting / Traversing Speed	High / High	SD35/10-H12-MH	SD50/15-H12-MH	SD60/20-H12-MH	SD70/20-H12-MH				
		High / Low	SD35/10-H12-ML	SD50/15-H12-ML	SD60/20-H12-ML	SD70/20-H12-ML				
		Low / High	SD35/10-L12-MH	SD50/15-L12-MH	SD60/20-L12-MH	SD70/20-L12-MH				
		Low / Low	SD35/10-L12-ML	SD50/15-L12-ML	SD60/20-L12-ML	SD70/20-L12-ML				
Hoist	Maximum Lift (m)		12	12	12	12	12	12	12	
		Hoisting Speed (m/min)	High Speed 50/60 (Hz)	4 / 4.8	3.7 / 4.5	2.7 / 3.2	3.5 / 4.2	2 / 2.4	3.5 / 4.2	2 / 2.4
	Low Speed 50/60 (Hz)			2.5 / 3		2.3 / 2.8		2.3 / 2.8		2.3 / 2.8
	Hoisting Motor (kw x P)	High Speed	33 x 6	9 x 8	33 x 6	13 x 8	33 x 6	17 x 8	33 x 6	17 x 8
Low Speed			6 x 12		8.5 x 12		11.5 x 12		11.5 x 12	
Wire Rope	Construction	6xFi(25),(29)	6 x 37	6xFi(25),(29)	6 x 37	6xFi(25),(29)	6 x 37	6xFi(25),(29)	6 x 37	
	Dia.(mm) x No. of Ropes	28 x 4	16 x 4	28 x 6	20 x 4	28 x 8	22.4 x 4	28 x 8	22.4 x 4	
Brake		DC Magnet Disc Brake								
T/S	Traversing Speed (m/min)	High Speed 50/60 (Hz)	12.5 / 15	12.5 / 15	12.5 / 15	12.5 / 15	12.5 / 15	12.5 / 15	12.5 / 15	
		Low Speed 50/60 (Hz)	8.3 / 10	8.3 / 10	8.3 / 10	8.3 / 10	8.3 / 10	8.3 / 10	8.3 / 10	
	Traversing Motor (kw x P)	High Speed	2.2 x 4	2 x 2.2 x 4	2 x 2.2 x 4	2 x 2.2 x 4	2 x 3.7 x 4	2 x 2.2 x 4	2 x 3.7 x 4	
		Low Speed	1.5 x 6	2 x 1.5 x 6	2 x 1.5 x 6	2 x 1.5 x 6	2 x 2.2 x 6	2 x 1.5 x 6	2 x 2.2 x 6	
Dimensions (mm) (approx.)	H1	1490	1750	1965	1965	1965	1965	1965	1965	
	H2	450	350	350	350	350	350	350	350	
	R	1600	2300	2800	2800	2800	2800	2800	2800	
	A	740	985	985	985	985	985	985	985	
	B	530	635	635	635	635	635	635	635	
	E	1130	1430	1430	1430	1430	1430	1430	1430	
	W	2400	3050	3050	3050	3050	3050	3050	3050	
	M	215	275	275	275	275	275	275	275	
	N	215	275	275	275	275	275	275	275	
	C1	1015	1225	1250	1250	1250	1250	1250	1250	
	C2	1300	1680	1680	1680	1680	1680	1680	1680	
	G	1455	1780	2030	2030	2030	2030	2030	2030	
	K	1550	1950	2200	2200	2200	2200	2200	2200	
	L	1044	1430	1930	1930	1930	1930	1930	1930	
	D	70	80	80	80	80	80	80	80	
	ØP	355	450	450	450	450	450	450	450	
ØQ	395	490	490	490	490	490	490	490		
Weight (approx. - kg)		6820	9000	11200	11200	11200	11200	11200	11200	
Traversing Rail (kg/m)		37	50	50	50	50	50	50	50	

Main & Aux Creep - Doublerrail Type Hoist

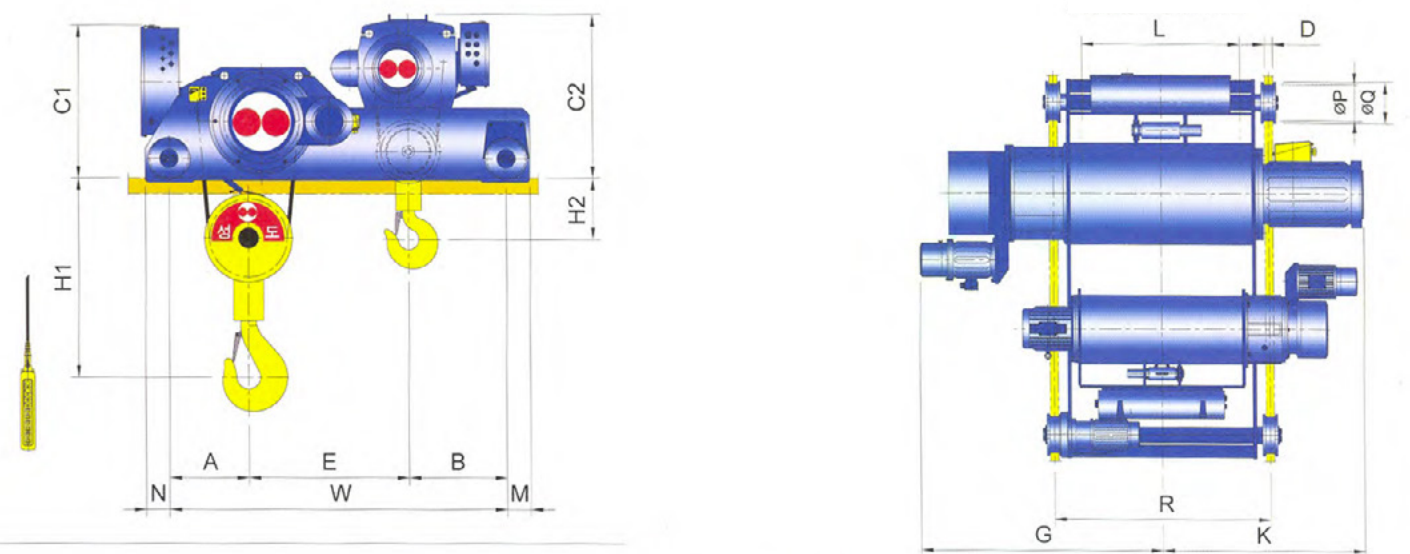
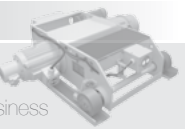
Trust our experience to manage your business



Model		CSD 5/3-M		CSD 7.5/3-M		CSD 10/3-M		CSD 10/5-M		CAD 15/5-M	
Capacity (Ton)		5	3	7.5	3	10	3	10	5	15	5
Type	Traversing Speed	CSD5/3-H12-MH		CSD7.5/3-H12-MH		CSD10/3-H12-MH		CSD10/5-H12-MH		CSD15/5-H12-MH	
	High Speed	CSD5/3-H12-MH		CSD7.5/3-H12-MH		CSD10/3-H12-MH		CSD10/5-H12-MH		CSD15/5-H12-MH	
	Low Speed	CSD5/3-H12-ML		CSD7.5/3-H12-ML		CSD10/3-H12-ML		CSD10/5-H12-ML		CSD15/5-H12-ML	
	Maximum Lift (m)	12		12		12		12		12	
Hoist	Hoisting Speed High/Creep Speed (m/min)	50 (Hz)	7.5/0.75	3.1/0.31	7.5/0.75	3.7/0.37	7.5/0.75	3.7/0.37	4.7/0.47	3.5/0.35	4.7/0.47
	60 (Hz)	5.6/0.56	9/0.9	3.8/0.38	9/0.9	4.5/0.45	9/0.9	4.5/0.45	5.6/0.56	4.2/0.42	5.6/0.56
	Hoisting Motor High / Creep Speed (kw x P)	5.5 x 6 1.0 x 6	5.5 x 4 1.5 x 4	5.5 x 6 1.0 x 6	5.5 x 4 1.5 x 4	9.0 x 8 1.1 x 8	5.5 x 4 1.5 x 4	9.0 x 8 1.1 x 8	5.5 x 6 1.0 x 6	13 x 8 1.8 x 8	5.5 x 6 1.0 x 6
	Construction	6 x 37	6 x 37	6 x 37	6 x 37	6 x 37	6 x 37	6 x 37	6 x 37	6 x 37	6 x 37
	Wire Rope	Dia.(mm) x No. of Ropes		14 x 4		12.5 x 2		16 x 4		16 x 2	
	Brake	DC Magnet Disc Brake									
T/S	Traversing Speed (m/min)	High Speed 50/60 (Hz)	20 / 24	12.5 / 15	12.5 / 15	12.5 / 15	12.5 / 15	12.5 / 15	12.5 / 15	12.5 / 15	12.5 / 15
	Low Speed 50/60 (Hz)	13 / 16	8.3 / 10	8.3 / 10	8.3 / 10	8.3 / 10	8.3 / 10	8.3 / 10	8.3 / 10	8.3 / 10	8.3 / 10
	Traversing Motor (kw x P)	High Speed	0.75 x 4	0.75 x 4	0.75 x 4	0.75 x 4	0.75 x 4	0.75 x 4	0.75 x 4	1.5 x 4	1.5 x 4
	Low Speed	0.5 X 6	0.5 X 6	0.5 X 6	0.5 X 6	0.5 X 6	0.5 X 6	0.5 X 6	0.5 X 6	1 x 6	1 x 6
Dimensions (mm) (approx.)	H1	510	730	775	775	1175	1175	1480	1480	1480	1480
	H2	250	350	300	400	350	450	650	650	650	650
	R	1150	1150	1150	1150	1200	1200	1800	1800	1800	1800
	A	370	400	410	410	470	470	790	790	790	790
	B	415	455	450	425	440	440	560	560	590	590
	E	665	735	740	765	890	890	1000	900	1070	1070
	W	1450	1590	1600	1600	1800	1800	2250	2250	2450	2450
	M	119	110	110	110	140	140	180	180	180	180
	N	102	95	100	100	140	140	160	160	160	160
	C1	650	645	680	680	910	910	980	980	980	980
	C2	800	770	800	880	970	970	990	1100	1400	1400
	G	1180	1170	1230	1230	1430	1430	1730	1730	1730	1730
	K	850	835	955	955	1090	1090	1480	1480	1480	1480
	L	890	850	850	850	870	870	935	935	1420	1420
D	58	58	58	58	58	58	70	80	80	80	
ØP	165	165	165	165	220	220	250	250	250	250	
ØQ	195	195	195	195	250	250	280	280	280	280	
Weight (approx. - kg)		1350	1550	1850	1900	2870	2870	4600	5565	6345	6345
Traversing Rail (kg/m)		15	15	15	15	22	22	30	37	37	37

Main & Aux Creep - Doublerrail Type Hoist

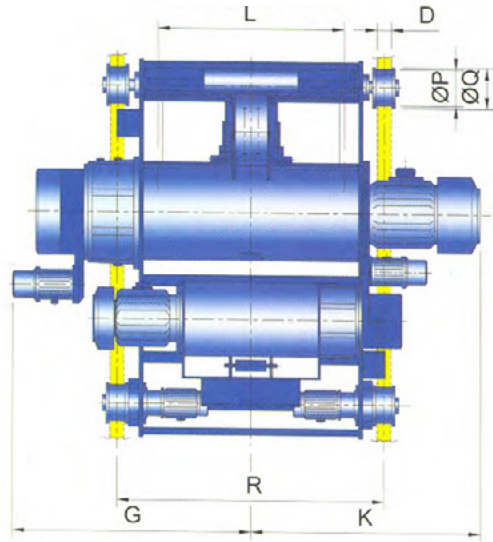
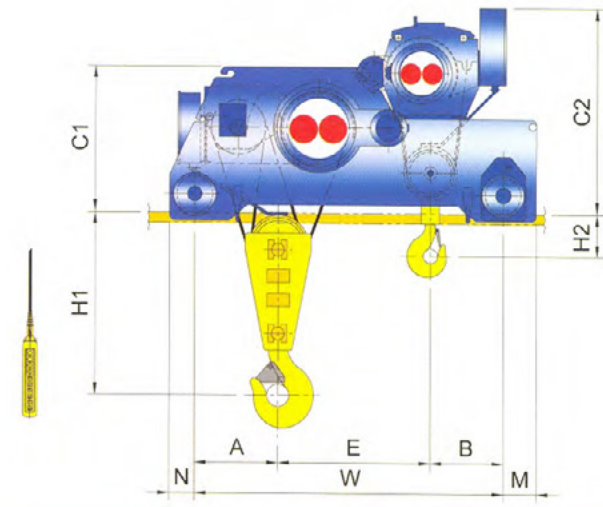
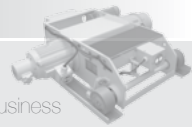
Trust our experience to manage your business



Model		CSD 20/5-M		CSD 20/10-M		CSD 30/5-M		CSD 30/10-M		CSD 30/15-M	
Capacity (Ton)		20	5	20	10	30	5	30	10	30	15
Type	Traversing Speed	CSD20/5-H12-MH		CSD20/10-H12-MH		CSD30/5-H12-MH		CSD30/10-H12-MH		CSD30/15-H12-MH	
	High Speed	CSD20/5-H12-MH		CSD20/10-H12-MH		CSD30/5-H12-MH		CSD30/10-H12-MH		CSD30/15-H12-MH	
	Low Speed	CSD20/5-H12-ML		CSD20/10-H12-ML		CSD30/5-H12-ML		CSD30/10-H12-ML		CSD30/15-H12-ML	
	Maximum Lift (m)	12		12		12		12		12	
Hoist	Hoisting Speed High/Creep Speed (m/min)	50 (Hz)	4.7/0.47	3.5/0.35	3.7/0.37	2.3/0.23	4.7/0.47	2.3/0.23	3.7/0.37	2.3/0.23	3.5/0.35
	60 (Hz)	4.2/0.42	5.6/0.56	4.2/0.42	4.5/0.45	2.8/0.28	5.6/0.56	2.8/0.28	4.5/0.45	2.8/0.28	4.2/0.42
	Hoisting Motor High / Creep Speed (kw x P)	17 x 8 1.8 x 8	5.5 x 6 1.0 x 6	17 x 8 1.8 x 8	9.0 x 8 1.1 x 8	17 x 8 1.8 x 8	5.5 x 6 1.0 x 6	17 x 8 1.8 x 8	9.0 x 8 1.1 x 8	17 x 8 1.8 x 8	13 x 8 1.8 x 8
	Construction	6 x 37	6 x 37	6 x 37	6 x 37	6 x 37	6 x 37	6 x 37	6 x 37	6 x 37	6 x 37
	Wire Rope	Dia.(mm) x No. of Ropes		22.4 x 4		16 x 2		22.4 x 6		16 x 2	
	Brake	DC Magnet Disc Brake									
T/S	Traversing Speed (m/min)	High Speed 50/60 (Hz)	12.5 / 15	12.5 / 15	12.5 / 15	12.5 / 15	12.5 / 15	12.5 / 15	12.5 / 15	12.5 / 15	12.5 / 15
	Low Speed 50/60 (Hz)	8.3 / 10	8.3 / 10	8.3 / 10	8.3 / 10	8.3 / 10	8.3 / 10	8.3 / 10	8.3 / 10	8.3 / 10	8.3 / 10
	Traversing Motor (kw x P)	High Speed	1.5 x 4	1.5 x 4	2 x 1.5 x 4	2 x 1.5 x 4	2 x 1.5 x 4	2 x 1.5 x 4	2 x 1.5 x 4	2 x 1.5 x 4	2 x 1.5 x 4
	Low Speed	1 x 6	1 x 6	2 x 1 x 6	2 x 1 x 6	2 x 1 x 6	2 x 1 x 6	2 x 1 x 6	2 x 1 x 6	2 x 1 x 6	2 x 1 x 6
Dimensions (mm) (approx.)	H1	1175	1175	1480	1480	1480	1480	1480	1480	1480	1480
	H2	350	350	285	450	650	650	650	650	650	650
	R	1300	1300	1800	1800	1800	1800	1800	1800	1800	1800
	A	470	470	790	790	790	790	790	790	790	790
	B	440	580	460	560	590	590	590	590	590	590
	E	890	950	1000	900	1070	1070	1000	900	1070	1070
	W	1800	2000	2250	2250	2450	2450	2250	2250	2450	2450
	M	140	140	180	180	180	180	180	180	180	180
	N	140	140	160	160	160	160	160	160	160	160
	C1	910	910	980	980	980	980	980	980	980	980
	C2	970	970	990	1100	1400	1400	990	1100	1400	1400
	G	1480	1480	1730	1730	1730	1730	1730	1730	1730	1730
	K	1140	1230	1480	1480	1480	1480	1480	1480	1480	1480
	L	935	935	1420	1420	1420	1420	1420	1420	1420	1420
D	58	58	70	80	80	80	70	80	80	80	
ØP	220	220	250	250	250	250	250	250	250	250	
ØQ	250	250	280	280	280	280	280	280	280	280	
Weight (approx. - kg)		3500	3600	4600	5565	6345	6345	4600	5565	6345	6345
Traversing Rail (kg/m)		22	22	30	37	37	37	30	37	37	37

Main & Aux Creep - Doublerrail Type Hoist

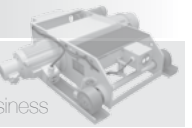
Trust our experience to manage your business



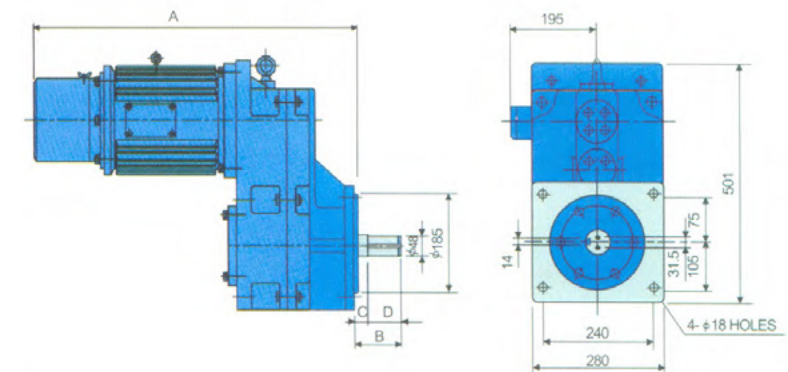
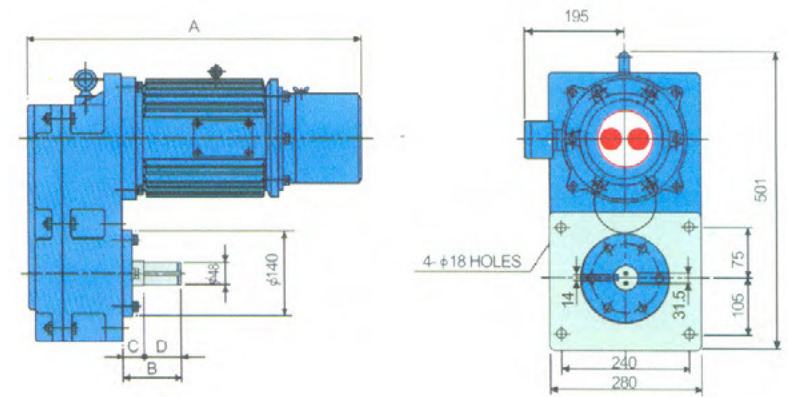
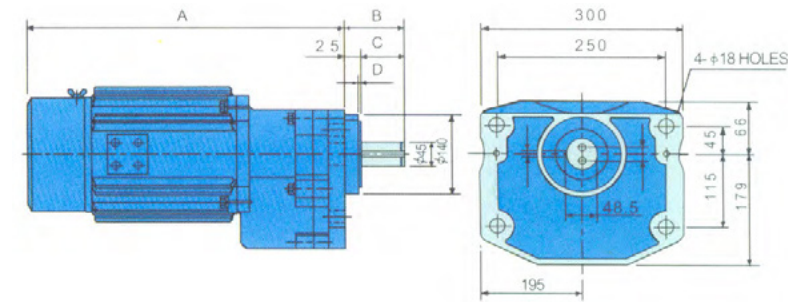
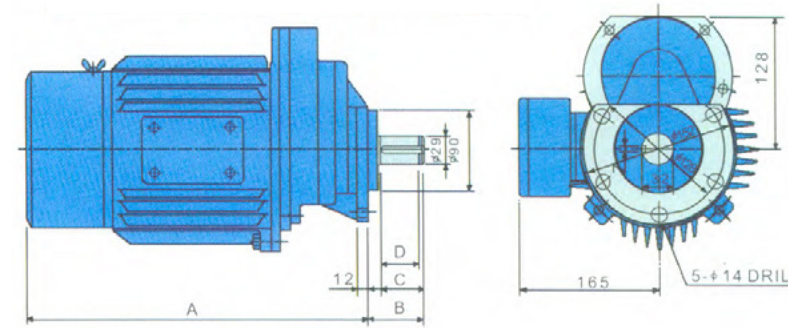
Model		CSD 35/10-M		CSD 50/15-M		CSD 60/20-M		CSD 70/20-M		
Capacity (Ton)		35	10	50	15	60	20	70	20	
Type	Traversing Speed	CSD35/10-H12-MH		CSD50/15-H12-MH		CSD60/20-H12-MH		CSD70/20-H12-MH		
	High Speed	CSD35/10-H12-ML		CSD50/15-H12-ML		CSD60/20-H12-ML		CSD70/20-H12-ML		
Hoist	Maximum Lift (m)	12		12		12		12		
	Hoisting Speed High/ Creep Speed (m/min)	50 (Hz)	4 / 0.4	3.7 / 0.37	2.7 / 0.27	3.5 / 0.35	2 / 0.2	3.5 / 0.35	2 / 0.2	3.5 / 0.35
		60 (Hz)	4.8 / 0.48	4.5 / 0.45	3.2 / 0.32	4.2 / 0.42	2.4 / 0.24	4.2 / 0.42	2.4 / 0.24	4.2 / 0.42
	Hoisting Motor High / Creep Speed (kw x P)		33 x 63.7 x 4	9.0 x 81.1 x 8	33 x 63.7 x 4	13 x 81.8 x 8	33 x 63.7 x 4	17 x 81.8 x 8	33 x 63.7 x 4	17 x 81.8 x 8
		Construction	6xFi(25),(29)	6 x 37	6xFi(25),(29)	6 x 37	6xFi(25),(29)	6 x 37	6xFi(25),(29)	6 x 37
Wire Rope	Construction	28 x 4	16 x 4	28 x 6	20 x 4	28 x 8	22.4 x 4	28 x 8	22.4 x 4	
T/S	Traversing Speed (m/min)	High Speed	12.5 / 15		12.5 / 15		12.5 / 15		12.5 / 15	
		Low Speed	8.3 / 10		8.3 / 10		8.3 / 10		8.3 / 10	
	Traversing Motor (kw x P)	High Speed	2.2 x 4		2 x 2.2 x 4		2 x 2.2 x 4		2 x 3.7 x 4	
		Low Speed	1.5 x 6		2 x 1.5 x 6		2 x 1.5 x 6		2 x 2.2 x 6	
Dimensions (mm) (approx.)	H1	1490		1750		1965		1965		
	H2	450		350		350		350		
	R	1600		2300		2800		2800		
	A	740		985		985		985		
	B	530		635		635		635		
	E	1130		1430		1430		1430		
	W	2400		3050		3050		3050		
	M	215		275		275		300		
	N	215		275		275		300		
	C1	1015		1225		1250		1250		
	C2	1300		1680		1680		1680		
	G	1735		2060		2310		2310		
	K	1550		1950		2200		2200		
	L	1044		1430		1930		1930		
	D	70		80		80		80		
ØP	355		450		450		500			
ØQ	395		490		490		540			
Weight (approx. - kg)	7300		9290		11490		12690			
Traversing Rail (kg/m)	37		50		50		50			

Crane Components

Trust our experience to manage your business



Geared Motor



OB Type		
DIMENSIONS	CAP	REDUCE RATIO
	0.5kw x 6P 0.75kw x 4p	1/8.4 1/12.12 1/16.3
A	352	387
B	89	89
C	66	66
D	60	60

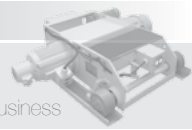
ET Type		
DIMENSIONS	CAP	REDUCE RATIO
	1.5kw x 6P 2.2kw x 4p	1/19.2
A	550	550
B	84	84
C	59	59
D	5	5

NC Type		
DIMENSIONS	CAP	REDUCE RATIO
	2.2kw x 6p 3.7kw x 4p	1/22
A	575	575
B	95	95
C	35	35
D	60	60

NZ Type		
DIMENSIONS	CAP	REDUCE RATIO
	2.2kw x 6p 3.7kw x 4p	1/22
A	640	640
B	105	105
C	41	41
D	64	64

Crane Components

Trust our experience to manage your business



Load Limiter

Sungdo Load Limiter could be accommodated to any kind of lifting products. Sungdo Load Limiter is designed as electro-electric system detecting over loaded current in order to prevent against any circumstances with over loaded hoist.



Pendant Button Switch

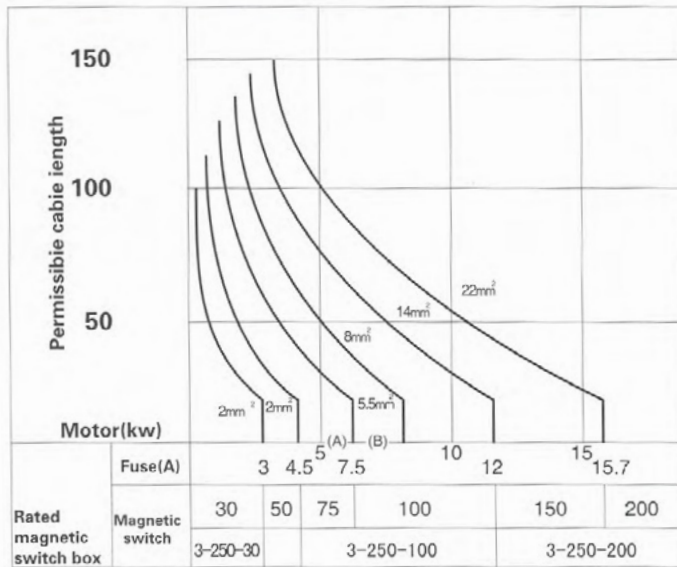


Geared Motor



Maximum Permissible Length for Cabtyre Cable

Cabtyre cable (Permissible length & Fuse capacity)



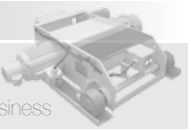
Maximum Permissible Length for I-Beam

I-Beam (Maximum permissible span)

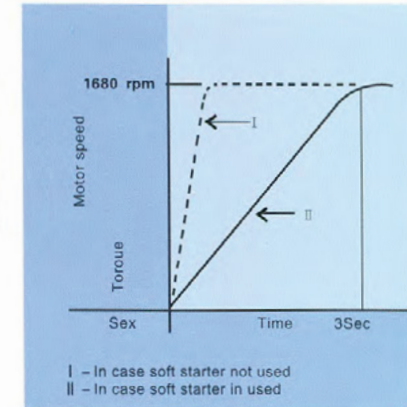
I-Beam size a x b x t	Allowable span of standard SUNGDO hoist by Capacities(m)(Supported at both ends)				
	1/2t	1t	2t	3t	5t
200 x 100 x 7	5.8	4.1	2.9	2.3	.
250 x 125 x 7.5	8.9	6.3	4.4	3.6	.
300 x 150 x 10	14.0	9.9	7.0	5.7	4.4
350 x 150 x 9	15.3	10.8	7.6	6.2	4.8
350 x 150 x 12	18.6	13.2	9.3	7.6	5.9
400 x 150 x 10	19.2	13.6	9.6	7.8	6.1
400 x 150 x 12.5	22.1	15.6	11	9	7.0
450 x 175 x 11	7.7
450 x 175 x 13	.	.	.	11.6	8.6
450 x 175 x 13	1.5	1.5	1.8	1.8	2.3

Crane Components

Trust our experience to manage your business

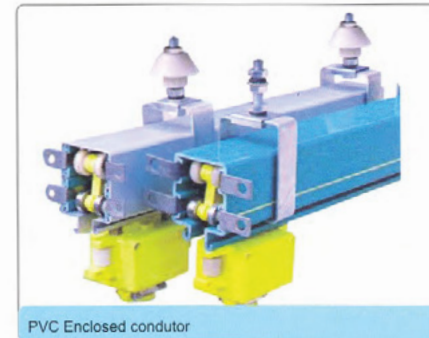


Soft Starter

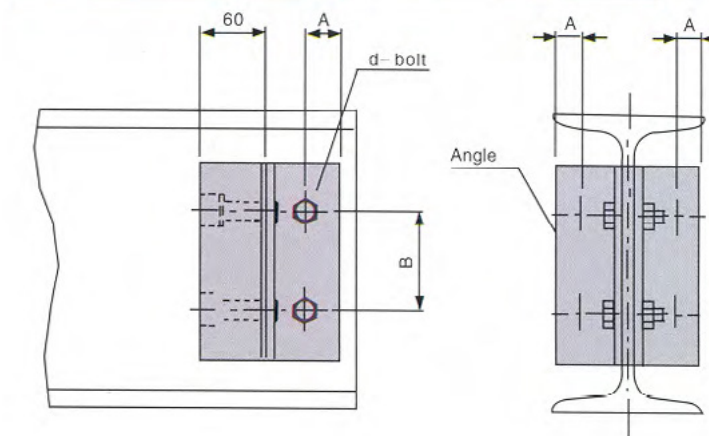


Motor Model	Capacity(Kw)		Power Source
	1Motor	2Motor	
SS-2230 3830 4430	1.0	0.5 x 2	220V-50/60HZ 380V-50/60HZ 440V-50/60HZ
SS-2230 3830 4430	1.5	0.75 x 2	
SS-2230 3830 4430	3.0	1.5 x 2	220V-50/60HZ 380V-50/60HZ 440V-50/60HZ
SS-2244 3844 4444	4.4	2.2 x 2	
SS-2275 3875 4474	7.5	3.7 x 2	

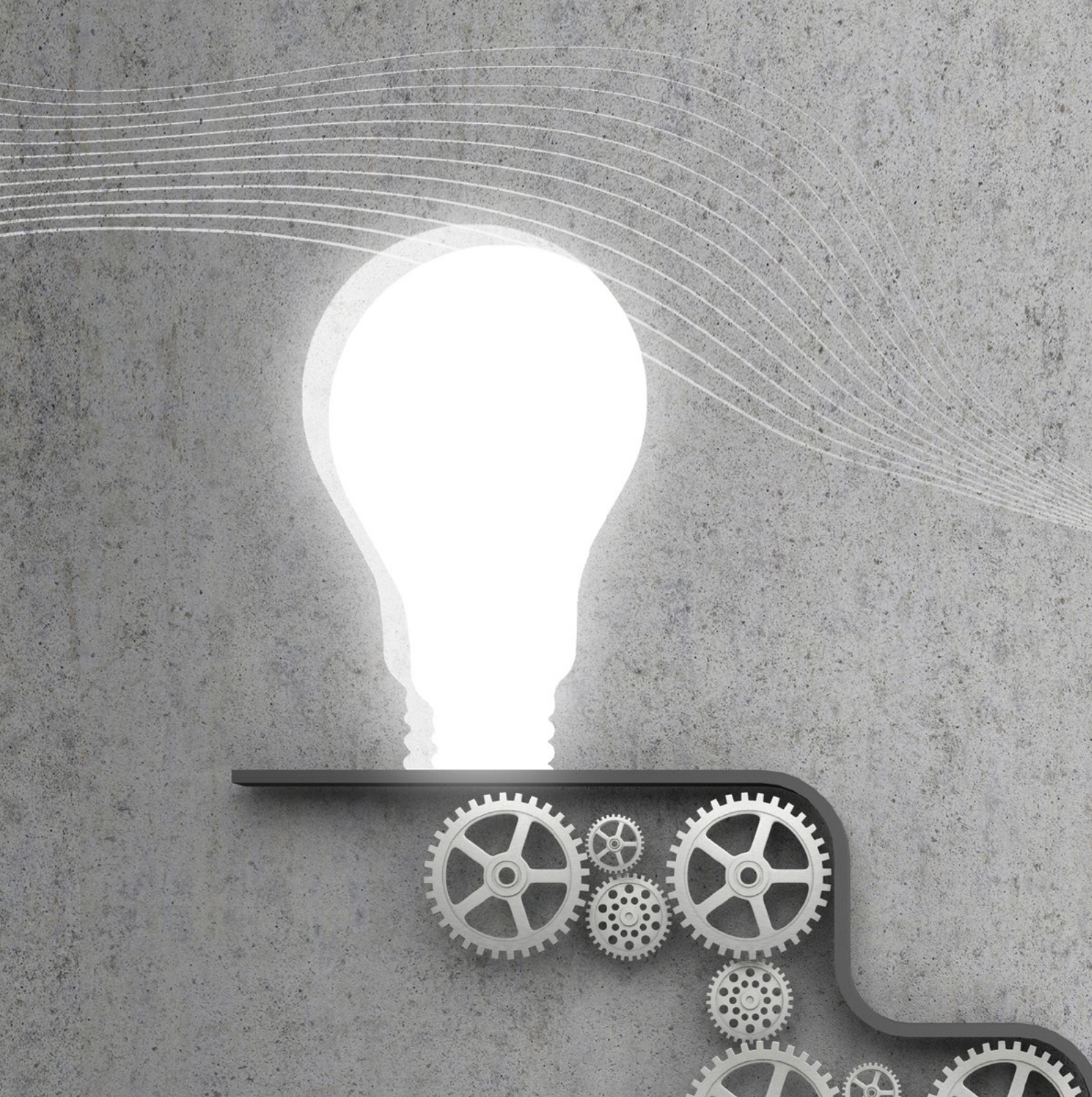
Power Supply System



Stopper



I-beam(mm)	150 x 75	200 x 100	250 x 125	300 x 150	350 x 150	400 x 150	450 x 175
Angle Beam(mm)	50 x 50 x 6			65 x 65 x 6			
A(mm)	22			30			
B(mm)	75	105	110	140	190	230	280
D(mm)	M 11	M 16	M 16	M 20	M 20	M 20	M 20



SUNGDO MACHINERY CO.,LTD.

| 본사 |

인천광역시 서구 봉수대로 1581번길 7-2 (금곡동)
TEL : 032-565-9111 FAX : 032-565-9116
E-mail : sales@sungdohoist.co.kr

| Head Office |

7-2, 1581 Beon-Gil Bongsu-Daero, Seo-Gu, Incheon, Korea
TEL : 82-32-565-9111 FAX : 82-32-565-941
E-mail : sales@sungdohoist.co.kr